

0CNP1-M89500EN

仕様 SPECIFICATIONS

| 名 称 Model | | YK201 | YK281 |
|--|--|--|--|
| エンジン Engine | 名 称 Model | YANMAR GY20 | |
| | 形 式 Type | 空冷4サイクルガソリン Air cooled 4-cycle gasoline | |
| | シリンダ内径×行程 (mm) Bore × stroke (mm) | 52×37 | |
| | 排 気 量 (cc.) Displacement (cc.) | 78 | |
| | 最 大 出 力 (Hp/r.p.m.) Max. output (Hp/r.p.m.) | 2.0/4200 | |
| | 点 火 方 式 Ignition system | トランジスタ点火制御 TIC(Transistorized ignition control) | |
| | 始 動 方 式 Starting system | リコイルスタート Recoil starter | |
| | エアクリーナ Air cleaner | 半湿式 Semi-wet type | |
| | 燃料タンク容量 (ℓ) Fuel tank capacity (ℓ) | 1.0 | |
| 機体寸法 Dimensions | 全 長 (mm) Overall length (mm) | 1080 | |
| | 全 幅 (mm) Overall width (mm) | 610 | |
| | 全 高* (mm) Overall height* (mm) | 974 | |
| 本機重量(タイヤ未装着) (kg) Net weight w/o tires (kg) | | 25.0(車軸ロータ付) 25.0(With axle tiller) | 25.5(車軸ロータ付) 25.5(With axle tiller) |
| 車 軸 Axle | 前 進 Forward | 1速 1 Speed | 1速 1 Speed |
| | 後 進 Reverse | — | 1速 1 Speed |
| | 車 軸 形 状 Axle shape | 丸 Round | |
| ク ラ ッ チ Clutch | | ベルトテンション Belt tension | |
| ハ ン ド ル 調 整 Adjusting area of handle | | 上下 Vertical | |

*車軸の中心から

*from center of axle

※この仕様は、改良などにより予告なく変更する場合があります。

NOTE: Given Specifications may be altered for improvement, etc. without prior notice.

Contents

| Fig. No. | Fig. Name |
|----------------------------|----------------------|
| ENGINE UNIT(MODEL GY20DKF) | |
| 1. | CYLINDER BODY |
| 2. | BREATHER |
| 3. | LABELS & PACKING SET |
| 4. | CYLINDER HEAD |
| 5. | AIR CLEANER |
| 6. | MUFFLER |
| 7. | CAM SHAFT |
| 8. | CRANKSHAFT |
| 9. | PISTON |
| 10. | FAN CASE |
| 11. | FUEL OIL TANK |
| 12. | CABURETOR |
| 13. | FUEL OIL PIPE |
| 14. | GOVERNOR |
| 15. | CONTROL |
| 16. | RECOIL STARTER |
| 17. | FLYWHEEL & MAGNET |
| PULLEY & TENSION UNIT | |
| 18. | ENGINE INSTALLING |
| 19. | ENGINE PULLEY |
| 20. | MAIN PULLEY |
| 21. | TENSION CLUTCH |

| Fig. No. | Fig. Name |
|-------------------|-----------------------|
| TRANSMISSION UNIT | |
| 22. | TRANSMISSION CASE |
| 23. | MAIN SHAFT |
| 24. | SUB SHAFT |
| 25. | SPEED REDUCTION SHAFT |
| 26. | AXLE SHAFT |
| 27. | CHANGE |
| ROTOR UNIT | |
| 28. | AXLE ROTOR |
| HANDLE UNIT | |
| 29. | HANDLE COLUMN |
| 30. | HANDLE |
| 31. | HANDLE COVER |
| 32. | CONTROL LEVER |
| ENGINE FRAME UNIT | |
| 33. | ENGINE FRAME |
| 34. | FRONT EQUIPMENT |
| 35. | HITCH |
| 36. | BELT COVER |
| 37. | FUEL OIL TANK |
| 38. | BONNET |
| 39. | RESISTANT STICK |

Contents

Fig. No. Fig. Name

Fig. No. Fig. Name

LABELS & ACCESSORIES UNIT

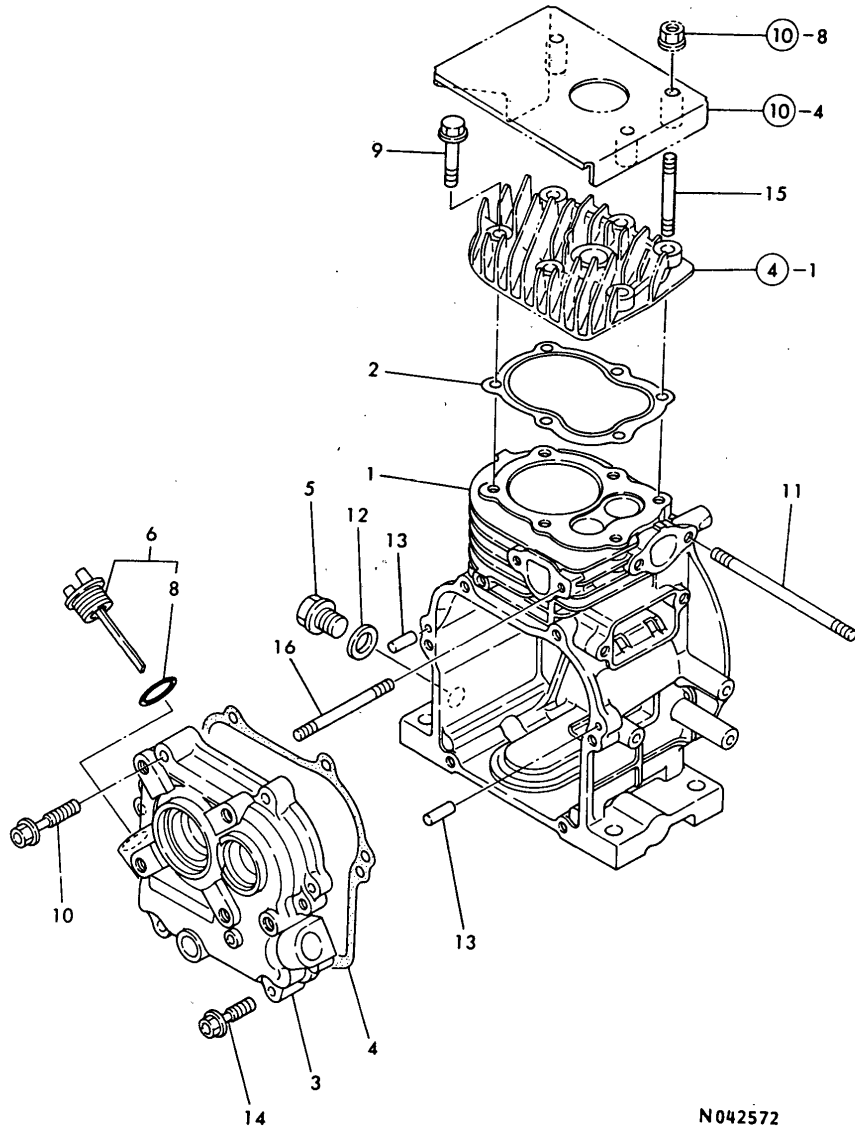
40. ELECTRICAL PARTS

41. LABELS

42. TOOLS

Fig.1. CYLINDER BODY

1. CYLINDER BODY



N042572

Remarks
 (REMARKS)"EFFECTIVE MACHINE NO." OF
 ENGINE IS INDICATED ON THE
 ENGINE LABEL WHICH IS SHOWN
 IN FIG.10.

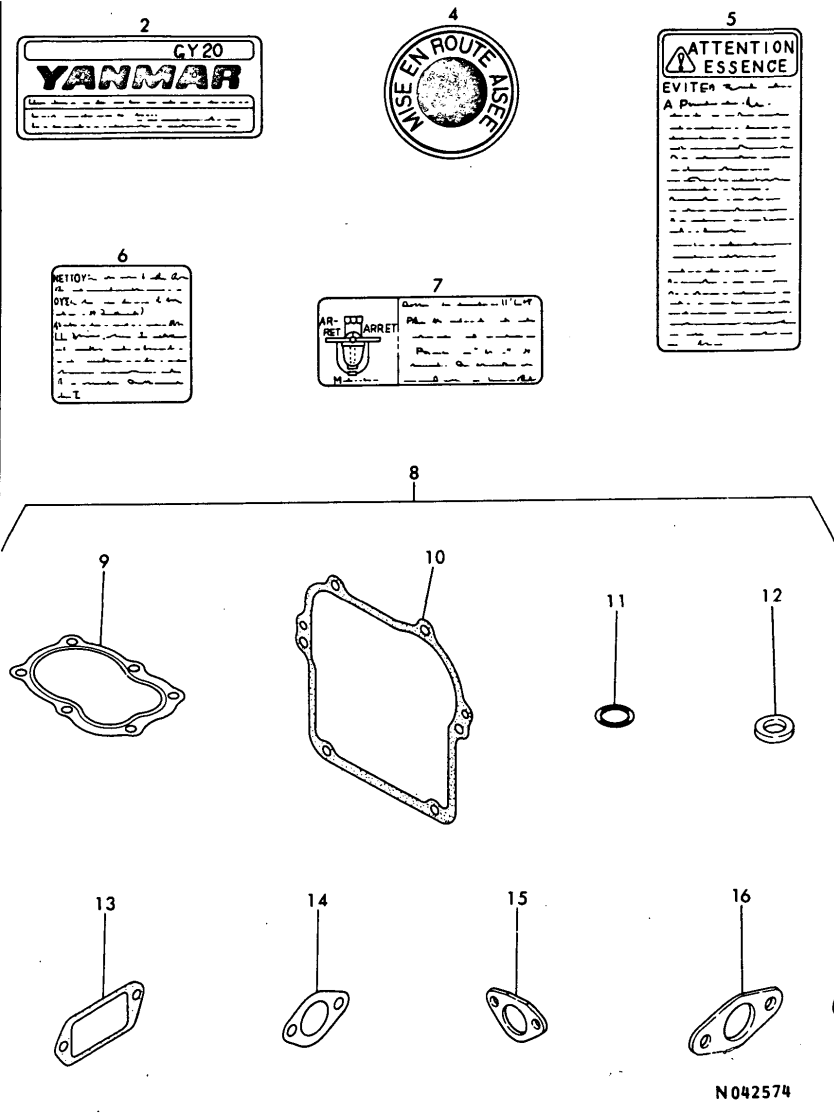
(A)=GY20DKF
 (B)=
 (C)=

(D)=
 (E)=
 (F)=

| No. | Lev. | Parts No. | Description | Q'ty | | | | | | I | R |
|-----|------|--------------|----------------------|------|-----|-----|-----|-----|-----|---|---|
| | | | | (A) | (B) | (C) | (D) | (E) | (F) | | |
| 1 | 1 | 160664-01010 | BLOCK ASSY, CYLINDER | 1 | | | | | | | |
| 2 | 1 | 160664-01331 | GASKET, HEAD | 1 | | | | | | | |
| 3 | 1 | 160664-01400 | COVER, CRANK CASE | 1 | | | | | | | |
| 3-1 | 1 | 160664-01401 | COVER, CRANK CASE | 1 | | | | | | | N |
| | | (A=E) | | | | | | | | | |
| 4 | 1 | 160664-01410 | GASKET, CRANK CASE | 1 | | | | | | | |
| 4-1 | 1 | 160664-01411 | GASKET, CRANK CASE | 1 | | | | | | | N |
| | | (A=E) | | | | | | | | | |
| 5 | 1 | 160610-01690 | PLUG, M12 | 1 | | | | | | | |
| 6 | 1 | 160560-01740 | CAP ASSY | 1 | | | | | | | |
| 8 | 2 | 24311-000150 | O-RING, 1AP15.0 | 1 | | | | | | | |
| 9 | 1 | 160610-04360 | BOLT, M6X35 | 3 | | | | | | | |
| 10 | 1 | 160610-04390 | BOLT, M6X32 | 1 | | | | | | | |
| 11 | 1 | 160611-04620 | BOLT, M6X110 | 2 | | | | | | | |
| 12 | 1 | 104200-59170 | GASKET, 12 | 1 | | | | | | | |
| 13 | 1 | 22312-060160 | PIN, PARALLEL M6X16 | 2 | | | | | | | |
| 14 | 1 | 26476-060252 | SCREW, TAPPING M6X25 | 5 | | | | | | | |
| 15 | 1 | 160611-04750 | STUD, M6X55 | 3 | | | | | | | |
| 16 | 1 | 160610-04570 | BOLT, M6X70 | 2 | | | | | | | |

Fig.3. LABELS & PACKING SET

3. LABELS & PACKING SET

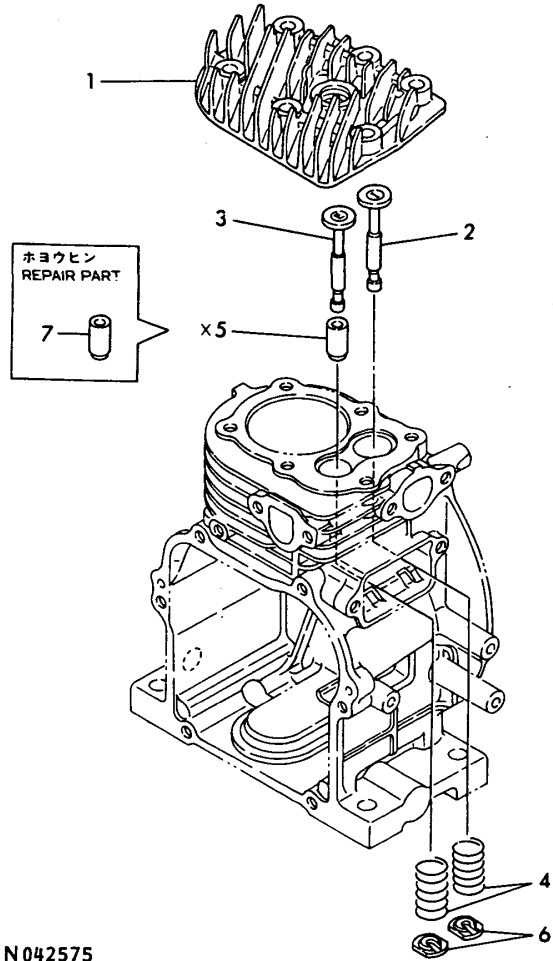


| No. | Lev. | Parts No. | Description | Q'ty | | | | | | I | R |
|-------|------|--------------|---------------------|------|-----|-----|-----|-----|-----|---|-----|
| | | | | (A) | (B) | (C) | (D) | (E) | (F) | | |
| 2 | 1 | 160662-07100 | LABEL(YANMAR) | 1 | | | | | | | |
| 4 | 1 | 160602-07160 | LABEL,DECOMPRESSION | 1 | | | | | | | |
| 5 | 1 | 160602-07250 | LABEL ,CAUTION | 1 | | | | | | | |
| 6 | 1 | 160662-07370 | LABEL, AIR CLEANER | 1 | | | | | | | |
| 7 | 1 | 160602-07800 | LABEL,FUEL COCK | 1 | | | | | | | |
| 8 | 1 | 760662-92600 | GASKET SET | 1 | | | | | | | A |
| 9 | 2 | 160664-01331 | GASKET, HEAD | 1 | | | | | | | A |
| 10 | 2 | 160664-01410 | GASKET, CRANK CASE | 1 | | | | | | | A |
| 10-1 | 2 | 160664-01411 | GASKET, CRANK CASE | 1 | | | | | | | N A |
| (A=E) | | | | | | | | | | | |
| 11 | 2 | 24311-000150 | O-RING, 1AP15.0 | 1 | | | | | | | A |
| 12 | 2 | 104200-59170 | GASKET, 12 | 1 | | | | | | | A |
| 13 | 2 | 160664-03070 | GASKET | 1 | | | | | | | A |
| 14 | 2 | 160510-56150 | GASKET, CARBURETOR | 4 | | | | | | | A |
| 15 | 2 | 160664-13200 | GASKET, SILENCER | 1 | | | | | | | A |
| 16 | 2 | 160664-56150 | GASKET, CARBURETOR | 2 | | | | | | | A |
| 17 | 2 | 160664-66170 | WASHER | 1 | | | | | | | A |

Remarks
 (A) OPTIONAL PART.
 (REMARKS)"EFFECTIVE MACHINE NO." OF ENGINE IS INDICATED ON THE ENGINE LABEL WHICH IS SHOWN IN FIG. 10.

Fig.4. CYLINDER HEAD

4. CYLINDER HEAD



X 印部品ハ単品販売致シマセン
 X-MARK PARTS : NOT SOLD SEPARATELY

Remarks

(A).WHEN PLACING AN ORDER, ORDER BY
 P/# 160664-11800, NOT BY P/#
 160664-11161.
 (B).REPAIR PART.
 (REMARKS)"EFFECTIVE MACHINE NO." OF
 ENGINE IS INDICATED ON THE
 ENGINE LABEL WHICH IS SHOWN
 IN FIG.10.

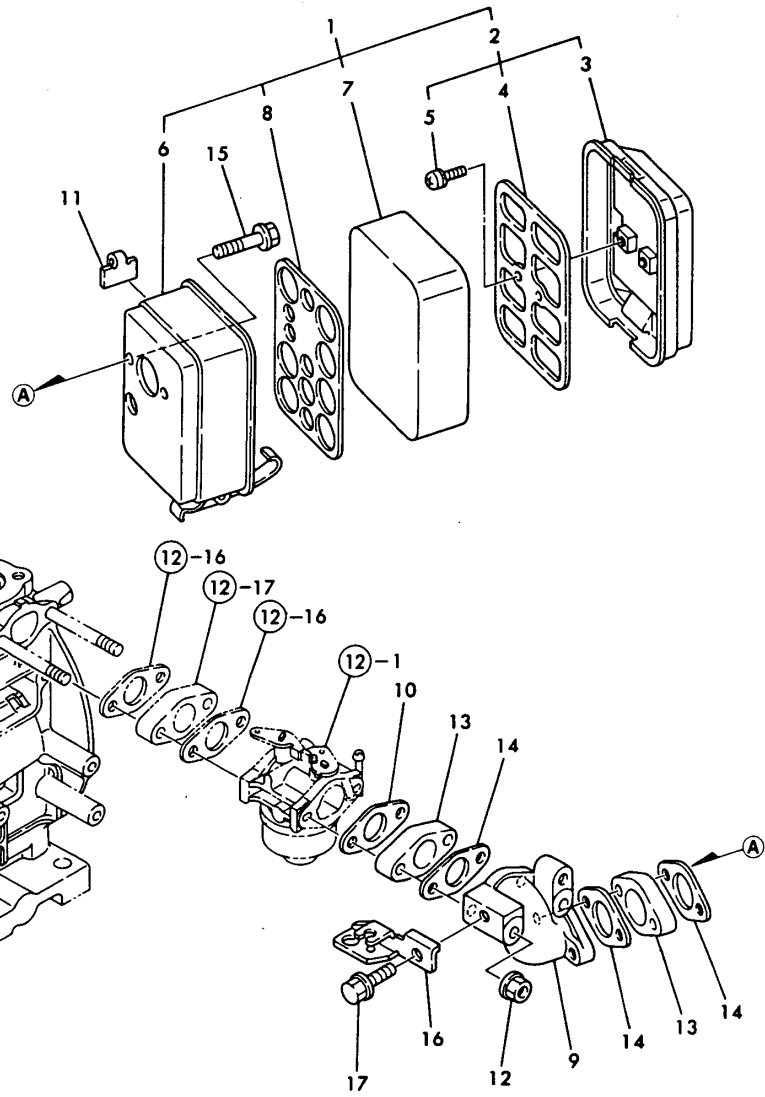
(A)=GY20DKF
 (B)=
 (C)=

(D)=
 (E)=
 (F)=

| No. | Lev. | Parts No. | Description | Q'ty | | | | | | I | R |
|-----|------|--------------|------------------|------|-----|-----|-----|-----|-----|---|---|
| | | | | (A) | (B) | (C) | (D) | (E) | (F) | | |
| 1 | 1 | 160663-11010 | HEAD, CYLINDER | 1 | | | | | | | |
| 2 | 1 | 160664-11100 | VALVE, INTAKE | 1 | | | | | | | |
| 3 | 1 | 160664-11110 | VALVE, EXHAUST | 1 | | | | | | | |
| 4 | 1 | 160664-11120 | SPRING, VALVE | 2 | | | | | | | |
| 6 | 1 | 160664-11180 | RETAINER, SPRING | 2 | | | | | | | |
| 7 | 1 | 160664-11800 | GUIDE, VALVE | 1 | | | | | | | B |

Fig.5. AIR CLEANER

5. AIR CLEANER



N042576

Remarks
 (REMARKS)"EFFECTIVE MACHINE NO." OF
 ENGINE IS INDICATED ON THE
 ENGINE LABEL WHICH IS SHOWN
 IN FIG.10.

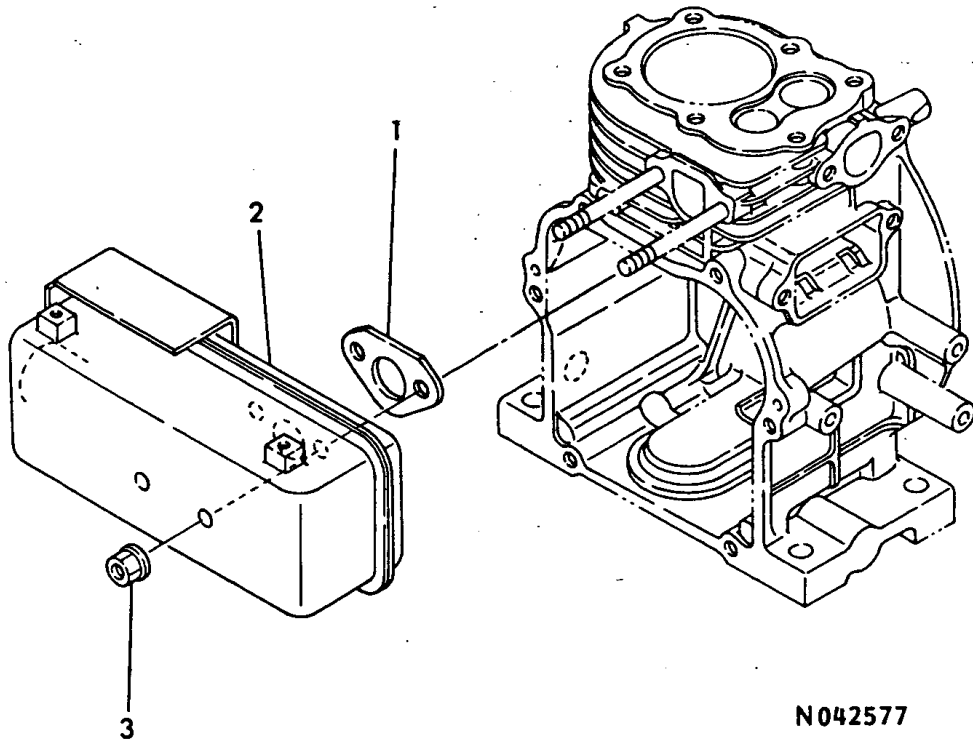
(A)=GY20DKF
 (B)=
 (C)=

(D)=
 (E)=
 (F)=

| No. | Lev. | Parts No. | Description | Q'ty | | | | | | I | R |
|-----|------|--------------|---------------------|------|-----|-----|-----|-----|-----|---|---|
| | | | | (A) | (B) | (C) | (D) | (E) | (F) | | |
| 1 | 1 | 160520-12500 | CLEANER ASSY, AIR | 1 | | | | | | | |
| 2 | 2 | 160520-12510 | CAP, AIR CLEANER | 1 | | | | | | | |
| 3 | 3 | 160520-12530 | CAP, AIR CLEANER | 1 | | | | | | | |
| 4 | 3 | 160520-12560 | HOLDER, ELEMENT | 1 | | | | | | | |
| 5 | 3 | 26022-050102 | SCREW, M5X10 | 2 | | | | | | | |
| 6 | 2 | 160520-12520 | BODY, AIR CLEANER | 1 | | | | | | | |
| 7 | 2 | 160520-12540 | ELEMENT | 1 | | | | | | | |
| 8 | 2 | 160520-12550 | HOLDER, ELEMENT | 1 | | | | | | | |
| 9 | 1 | 160662-12580 | PIPE, AIR INTAKE | 1 | | | | | | | |
| 9-1 | 1 | 160520-12580 | PIPE, AIR INTAKE | 1 | | | | | | | N |
| | | (A=E) | | | | | | | | | |
| 10 | 1 | 160510-56150 | GASKET, CARBURETOR | 1 | | | | | | | |
| 11 | 1 | 160560-78700 | CLAMP | 1 | | | | | | | |
| 12 | 1 | 26366-060002 | NUT, M6 | 2 | | | | | | | |
| 13 | 1 | 160662-12590 | SPACER, AIR CLEANER | 2 | | | | | | | |
| 14 | 1 | 160510-56150 | GASKET, CARBURETOR | 3 | | | | | | | |
| 15 | 1 | 26106-060252 | BOLT, M6X 25 PLATED | 2 | | | | | | | |
| 16 | 1 | 160520-66750 | STAY | 1 | | | | | | | Z |
| | | (A=E) | | | | | | | | | |
| 17 | 1 | 26106-060122 | BOLT, M6X 12 PLATED | 1 | | | | | | | Z |
| | | (A=E) | | | | | | | | | |

Fig.6. MUFFLER

6. MUFFLER



N042577

(A)=GY20DKF
(B)=
(C)=

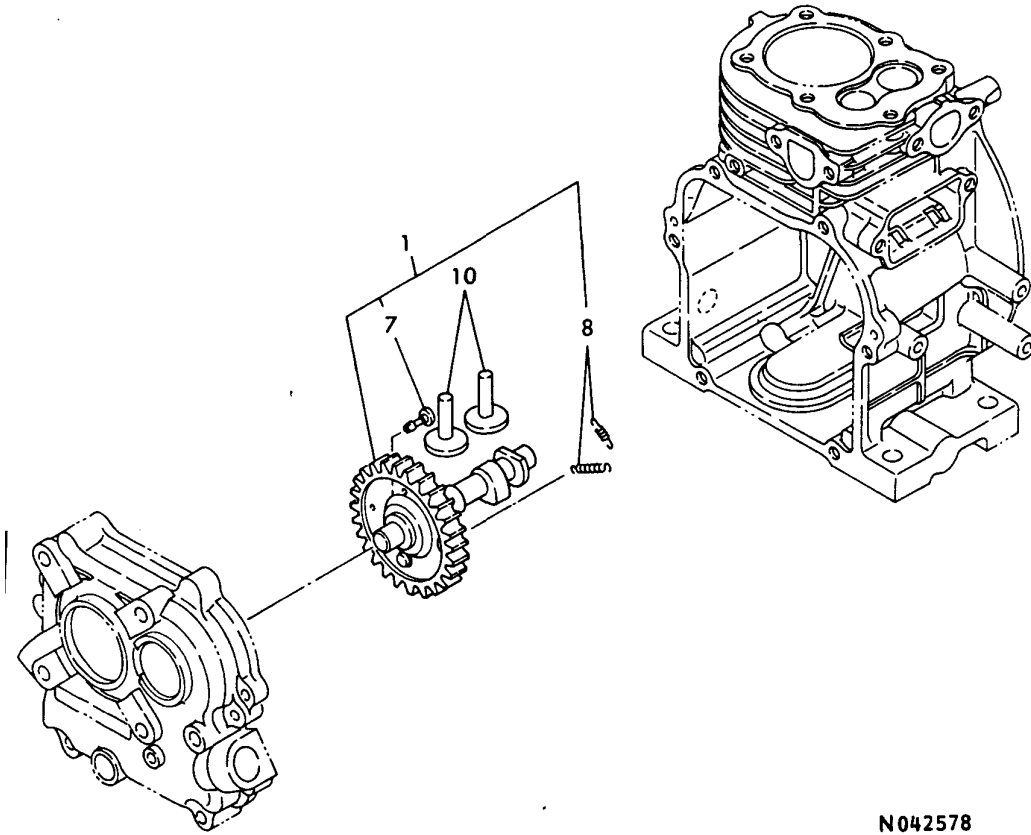
(D)=
(E)=
(F)=

| No. | Lev. | Parts No. | Description | Q'ty | | | | | | I | R |
|-----|------|--------------|------------------|------|-----|-----|-----|-----|-----|---|---|
| | | | | (A) | (B) | (C) | (D) | (E) | (F) | | |
| 1 | 1 | 160664-13200 | GASKET, SILENCER | 1 | | | | | | | |
| 2 | 1 | 160662-13510 | MUFFLER | 1 | | | | | | | |
| 3 | 1 | 26366-060002 | NUT, M6 | 2 | | | | | | | |

Remarks
(REMARKS)"EFFECTIVE MACHINE NO." OF
ENGINE IS INDICATED ON THE
ENGINE LABEL WHICH IS SHOWN
IN FIG.10.

Fig.7. CAM SHAFT

7. CAM SHAFT



N042578

(A)=GY20DKF
(B)=
(C)=

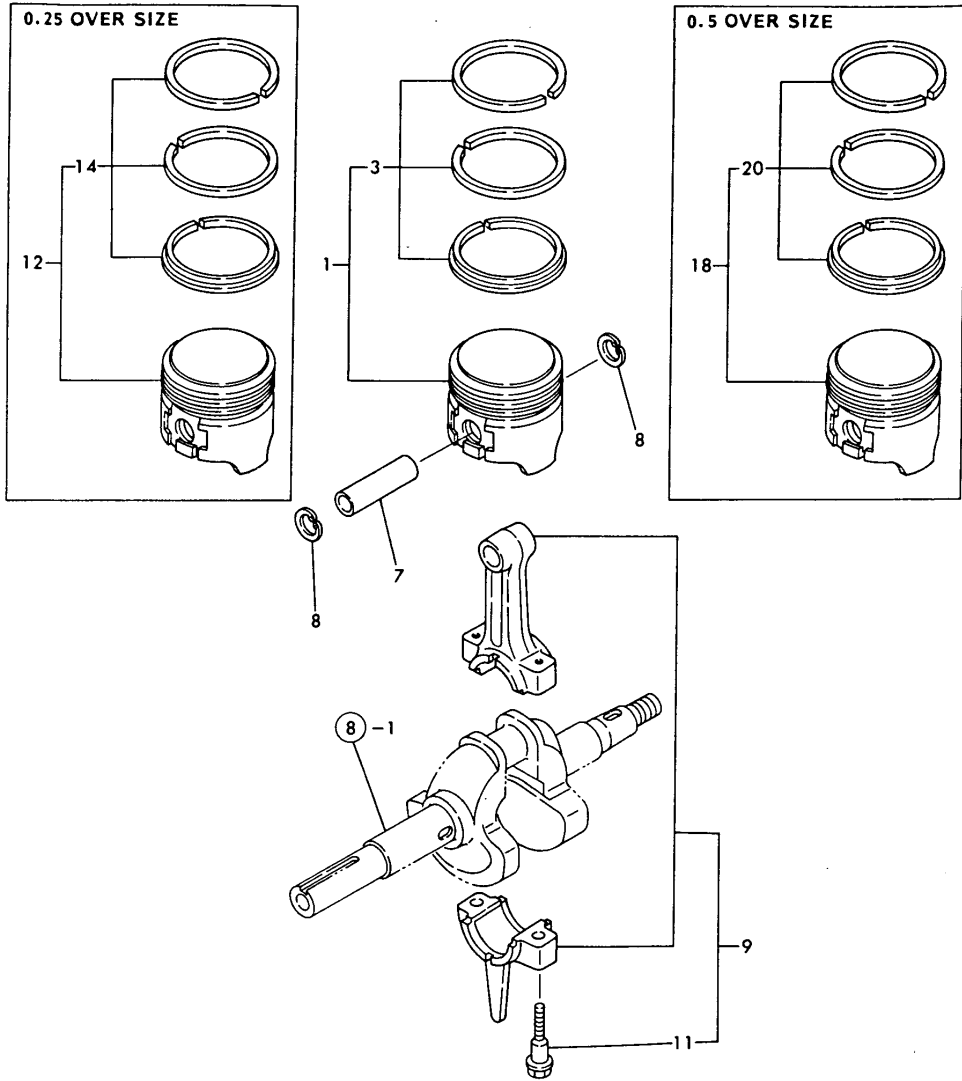
(D)=
(E)=
(F)=

| No. | Lev. | Parts No. | Description | Qty | | | | | | I | R |
|-----|------|--------------|----------------------|-----|-----|-----|-----|-----|-----|---|---|
| | | | | (A) | (B) | (C) | (D) | (E) | (F) | | |
| 1 | 1 | 160664-14100 | CAMSHAFT ASSY | 1 | | | | | | | |
| 7 | 2 | 160664-14550 | PIN | 1 | | | | | | | |
| 8 | 2 | 160664-14560 | SPRING,DECOMPRESSION | 2 | | | | | | | |
| 10 | 1 | 160664-14200 | TAPPET | 2 | | | | | | | |

Remarks
(REMARKS)"EFFECTIVE MACHINE NO." OF
ENGINE IS INDICATED ON THE
ENGINE LABEL WHICH IS SHOWN
IN FIG.10.

Fig.9. PISTON

9. PISTON



Remarks
 (A) OVERSIZED PART.
 (REMARKS)"EFFECTIVE MACHINE NO." OF
 ENGINE IS INDICATED ON THE
 ENGINE LABEL WHICH IS SHOWN
 IN FIG. 10.

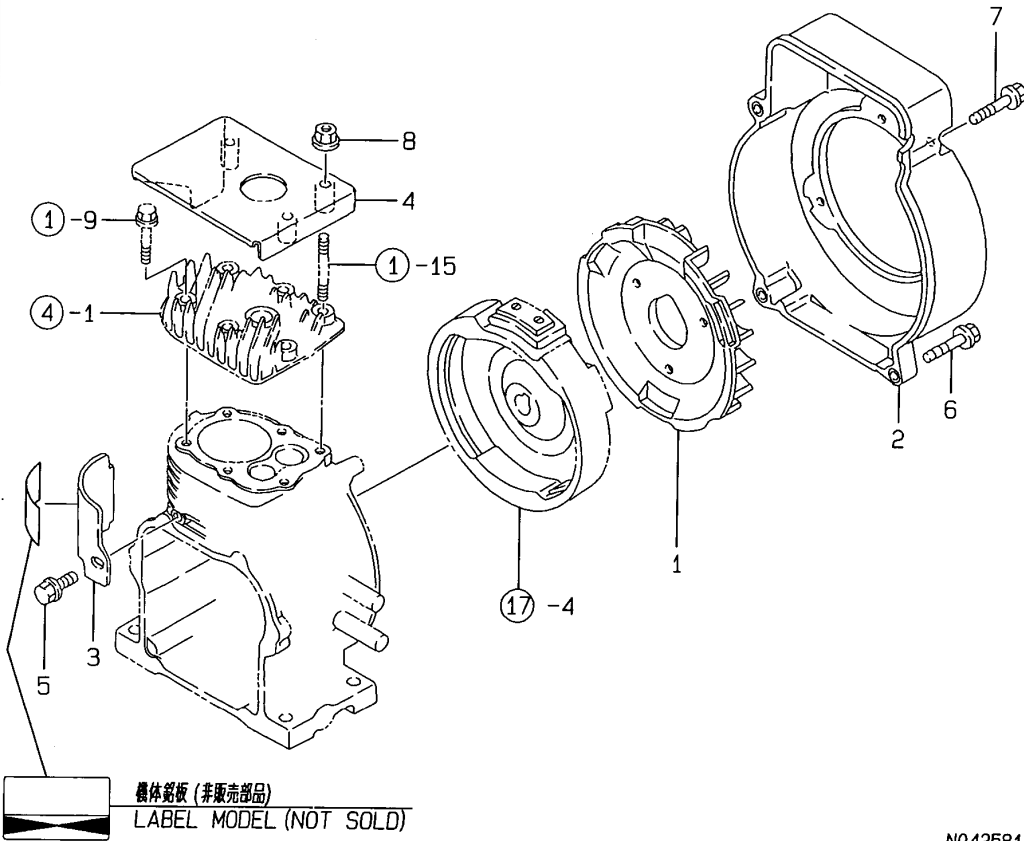
(A)=GY20DKF
 (B)=
 (C)=

(D)=
 (E)=
 (F)=

| No. | Lev. | Parts No. | Description | Qty | | | | | | I | R |
|------------|------|--------------|----------------------|-----|-----|-----|-----|-----|-----|---|-----|
| | | | | (A) | (B) | (C) | (D) | (E) | (F) | | |
| 1 | 1 | 160664-22010 | PISTON ASSY | 1 | | | | | | | |
| 1-1 | 1 | 160664-22020 | PISTON ASSY | 1 | | | | | | | N |
| (A=E00917) | | | | | | | | | | | |
| 3 | 2 | 760664-22500 | RING SET, PISTON | 1 | | | | | | | |
| 3-1 | 2 | 760664-22501 | RING SET, PISTON | 1 | | | | | | | N |
| (A=E00917) | | | | | | | | | | | |
| 7 | 1 | 160664-22300 | PIN, PISTON | 1 | | | | | | | |
| 8 | 1 | 22252-000110 | RING, 11 | 2 | | | | | | | |
| 9 | 1 | 760664-23710 | ROD ASSY, CONNECTING | 1 | | | | | | | |
| 11 | 2 | 160664-23201 | BOLT, CONNECTING ROD | 2 | | | | | | | |
| 12 | 1 | 160664-22470 | PISTON ASSY, 0.25 OS | 1 | | | | | | | A |
| 12-1 | 1 | 160664-22471 | PISTON ASSY, 0.25 OS | 1 | | | | | | | N A |
| (A=E00917) | | | | | | | | | | | |
| 14 | 2 | 760664-22540 | RING SET, 0.25 OS | 1 | | | | | | | A |
| 14-1 | 2 | 760664-22541 | RING SET, 0.25 OS | 1 | | | | | | | N A |
| (A=E00917) | | | | | | | | | | | |
| 18 | 1 | 160664-22480 | PISTON ASSY, 0.50 OS | 1 | | | | | | | A |
| 18-1 | 1 | 160664-22481 | PISTON ASSY, 0.50 OS | 1 | | | | | | | N A |
| (A=E00917) | | | | | | | | | | | |
| 20 | 2 | 760664-22550 | RING SET, 0.50 OS | 1 | | | | | | | A |
| 20-1 | 2 | 760664-22551 | RING SET, 0.50 OS | 1 | | | | | | | N A |
| (A=E00917) | | | | | | | | | | | |

Fig.10. FAN CASE

10. FAN CASE



N042581

(A)=GY20DKF

(B)=

(C)=

(D)=

(E)=

(F)=

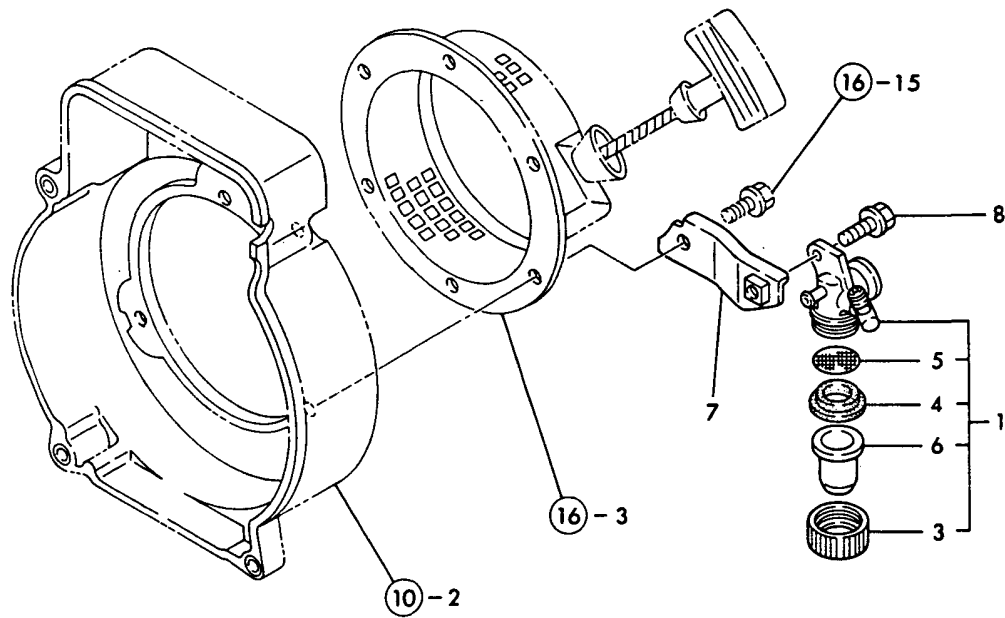
| No. | Lev. | Parts No. | Description | Q'ty | | | | | | I | R |
|-----|------|--------------|----------------------|------|-----|-----|-----|-----|-----|---|---|
| | | | | (A) | (B) | (C) | (D) | (E) | (F) | | |
| 1 | 1 | 160664-45010 | FAN, COOLING | 1 | | | | | | | |
| 2 | 1 | 160662-45100 | CASE, COOLING FAN | 1 | | | | | | | |
| 3 | 1 | 160664-45200 | COVER | 1 | | | | | | | |
| 4 | 1 | 160662-45260 | COVER, HEAD | 1 | | | | | | | |
| 5 | 1 | 26476-060142 | SCREW, TAPPING M6X14 | 1 | | | | | | | |
| 6 | 1 | 26476-060252 | SCREW, TAPPING M6X25 | 3 | | | | | | | |
| 7 | 1 | 26476-060302 | SCREW, TAPPING M6X30 | 1 | | | | | | | |
| 8 | 1 | 26366-060002 | NUT, M6 | 3 | | | | | | | |

Remarks

(REMARKS)"EFFECTIVE MACHINE NO." OF ENGINE IS INDICATED ON THE ENGINE LABEL WHICH IS SHOWN IN FIG.10.

Fig.11. FUEL OIL TANK

11. FUEL OIL TANK



N042582

(A)=GY20DKF
(B)=
(C)=

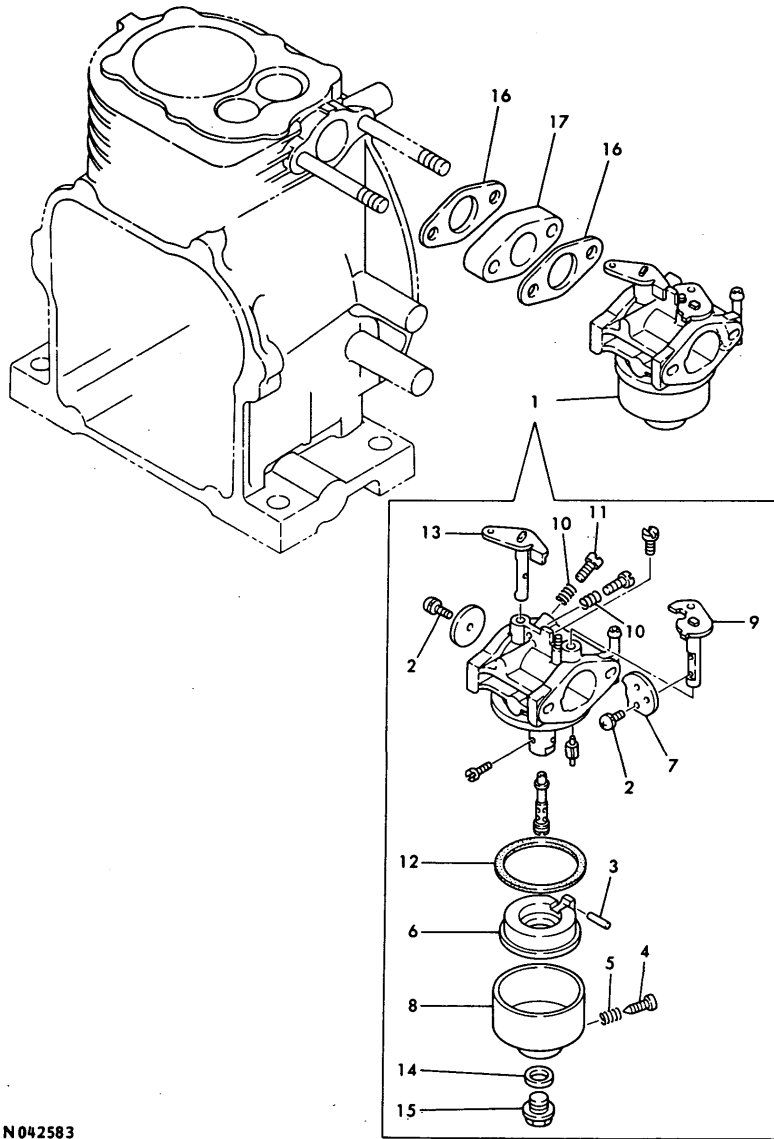
(D)=
(E)=
(F)=

| No. | Lev. | Parts No. | Description | Q'ty | | | | | | I | R |
|-----|------|-----------------------|---------------------|------|-----|-----|-----|-----|-----|---|---|
| | | | | (A) | (B) | (C) | (D) | (E) | (F) | | |
| 1 | 1 | 160710-55301 | COCK ASSY, FUEL | 1 | | | | | | | |
| 3 | 2 | 160710-55360 | RING | 1 | | | | | | | |
| 4 | 2 | 160710-55370 | GASKET | 1 | | | | | | | |
| 5 | 2 | 160710-55380 | FILTER, FUEL | 1 | | | | | | | |
| 5-1 | 2 | 160710-55381 (A=E) | FILTER, FUEL | 1 | | | | | | | N |
| 6 | 2 | 160710-55390 | CUP, FUEL COCK L37 | 1 | | | | | | | |
| 7 | 1 | 160662-55360 | STAY | 1 | | | | | | | |
| 8 | 1 | 26106-060122 | BOLT, M6X 12 PLATED | 1 | | | | | | | |
| 9 | 2 | 160692-55421 | PLATE | 1 | | | | | | | |

Remarks
(REMARKS)"EFFECTIVE MACHINE NO." OF
ENGINE IS INDICATED ON THE
ENGINE LABEL WHICH IS SHOWN
IN FIG.10.

Fig.12. CABURETOR

12. CABURETOR



N042583

Remarks
 (REMARKS)"EFFECTIVE MACHINE NO." OF
 ENGINE IS INDICATED ON THE
 ENGINE LABEL WHICH IS SHOWN
 IN FIG.10.

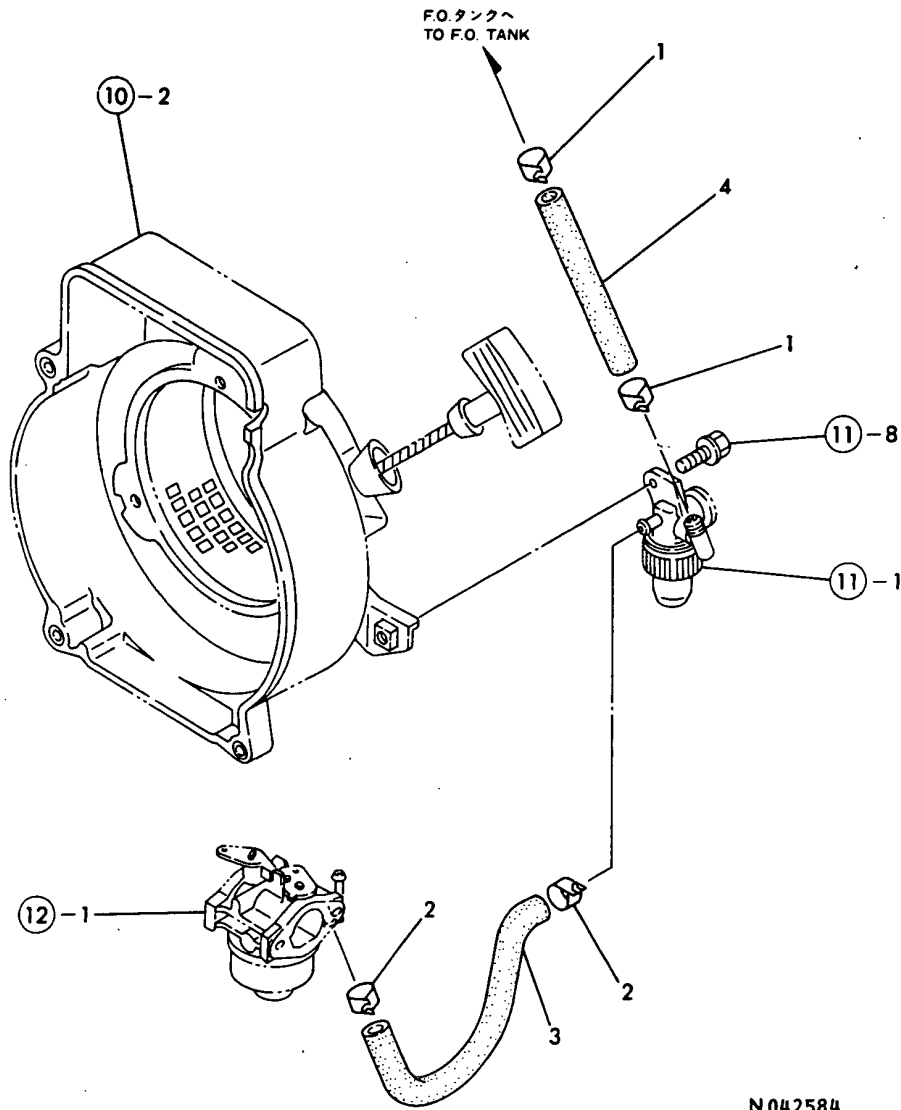
(A)=GY20DKF
 (B)=
 (C)=

(D)=
 (E)=
 (F)=

| No. | Lev. | Parts No. | Description | Q'ty | | | | | | I | R |
|-----|------|--------------|---------------------|------|-----|-----|-----|-----|-----|---|---|
| | | | | (A) | (B) | (C) | (D) | (E) | (F) | | |
| 1 | 1 | 160662-56010 | CARBURETOR ASSY | 1 | | | | | | | |
| 2 | 2 | 160710-56710 | SCREW | 2 | | | | | | | |
| 3 | 2 | 160610-56631 | PIN, FLOAT | 1 | | | | | | | |
| 4 | 2 | 160610-56090 | SCREW | 1 | | | | | | | |
| 5 | 2 | 181230-56380 | SPRING | 1 | | | | | | | |
| 6 | 2 | 160540-56620 | FLOAT ASSY | 1 | | | | | | | |
| 7 | 2 | 160510-56680 | VALVE, CHOKE | 1 | | | | | | | |
| 8 | 2 | 160510-56640 | BODY, FLOAT CHAMBER | 1 | | | | | | | |
| 9 | 2 | 160662-56700 | SHAFT, CHOKE | 1 | | | | | | | |
| 10 | 2 | 181130-56640 | SPRING | 2 | | | | | | | |
| 11 | 2 | 160610-56750 | SCREW | 1 | | | | | | | |
| 12 | 2 | 160510-56610 | GASKET | 1 | | | | | | | |
| 13 | 2 | 160510-56770 | SHAFT, THROTTLE | 1 | | | | | | | |
| 14 | 2 | 160910-56550 | WASHER | 1 | | | | | | | |
| 15 | 2 | 160910-56660 | BOLT | 1 | | | | | | | |
| 16 | 1 | 160664-56150 | GASKET, CARBURETOR | 2 | | | | | | | |
| 17 | 1 | 160664-56160 | SPACER, CARBURETOR | 1 | | | | | | | |

Fig.13. FUEL OIL PIPE

13. FUEL OIL PIPE



N042584

Remarks
 (REMARKS)"EFFECTIVE MACHINE NO." OF
 ENGINE IS INDICATED ON THE
 ENGINE LABEL WHICH IS SHOWN
 IN FIG.10.

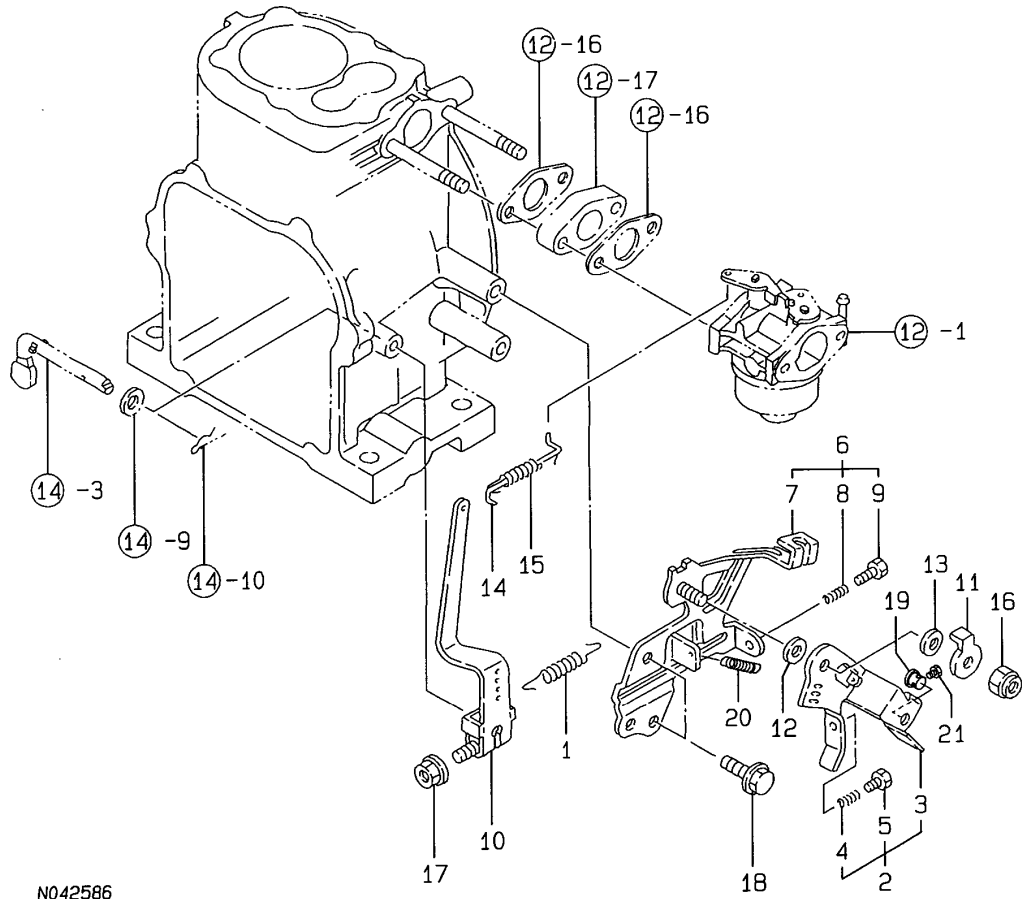
(A)=GY20DKF
 (B)=
 (C)=

(D)=
 (E)=
 (F)=

| No. | Lev. | Parts No. | Description | Qty | | | | | | I | R |
|-----|------|--------------|------------------|-----|-----|-----|-----|-----|-----|---|---|
| | | | | (A) | (B) | (C) | (D) | (E) | (F) | | |
| 1 | 1 | 106990-44660 | CLIP, HOSE 12.5 | 2 | | | | | | | |
| 2 | 1 | 124722-59050 | CLIP, HOSE 9 | 2 | | | | | | | |
| 3 | 1 | 160810-59350 | PIPE, FUEL | 1 | | | | | | | |
| 4 | 1 | 160820-59390 | PIPE, D11.5/L159 | 1 | | | | | | | |

Fig.15. CONTROL

15 CONTROL



N042586

Remarks
 (REMARKS)"EFFECTIVE MACHINE NO." OF
 ENGINE IS INDICATED ON THE
 ENGINE LABEL WHICH IS SHOWN
 IN FIG.10.

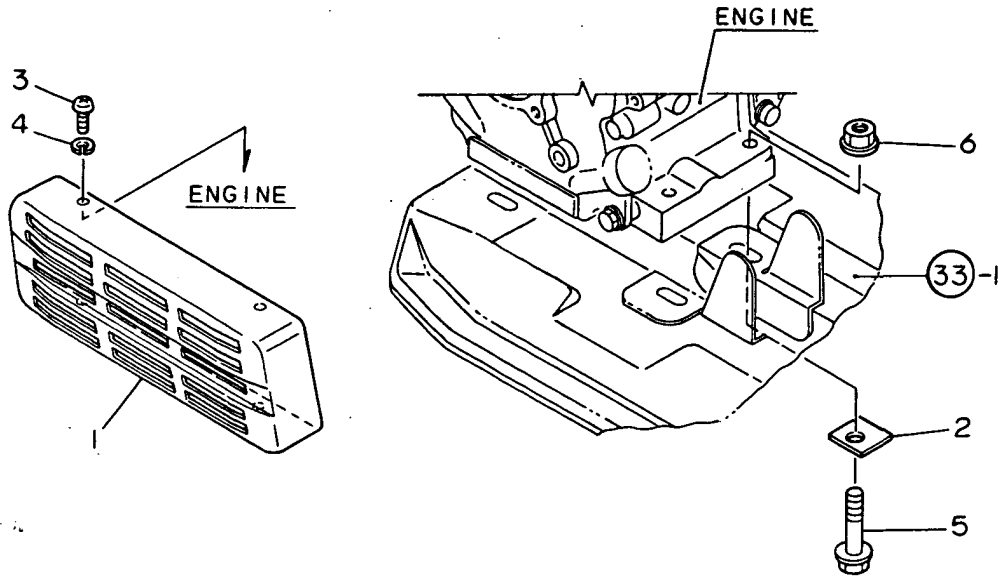
(A)=GY20DKF
 (B)=
 (C)=

(D)=
 (E)=
 (F)=

| No. | Lev. | Parts No. | Description | Q'ty | | | | | | I | R |
|--------------|------|--------------|----------------------|------|-----|-----|-----|-----|-----|---|---|
| | | | | (A) | (B) | (C) | (D) | (E) | (F) | | |
| 1 | 1 | 160662-66010 | SPRING, REGULATOR | 1 | | | | | | | |
| 2 | 1 | 160664-66050 | HANDLE ASSY | 1 | | | | | | | |
| 3 | 2 | 160664-66060 | HANDLE, REGULATOR | 1 | | | | | | | |
| 4 | 2 | 160520-66290 | SPRING | 1 | | | | | | | |
| 4-1 | 2 | 160520-66291 | SPRING | 1 | | | | | | | N |
| (A=E) | | | | | | | | | | | |
| 5 | 2 | 26117-040207 | BOLT M4X 20 | 1 | | | | | | | |
| 6 | 1 | 160664-66100 | BASE ASSY | 1 | | | | | | | |
| 7 | 2 | 160664-66110 | BRACKET, REGULATOR | 1 | | | | | | | |
| 8 | 2 | 160520-66290 | SPRING | 1 | | | | | | | |
| 8-1 | 2 | 160520-66291 | SPRING | 1 | | | | | | | N |
| (A=E) | | | | | | | | | | | |
| 9 | 2 | 26117-040257 | BOLT, M4X 25 PLATED | 1 | | | | | | | |
| 10 | 1 | 160664-66150 | LEVER, GOVERNOR | 1 | | | | | | | |
| 11 | 1 | 160664-66160 | WASHER | 1 | | | | | | | |
| 12 | 1 | 160664-66170 | WASHER | 1 | | | | | | | |
| 13 | 1 | 160664-66180 | SPRING | 1 | | | | | | | Z |
| (A=FROM 1ST) | | | | | | | | | | | |
| 14 | 1 | 160664-66200 | LINK, THROTTLE | 1 | | | | | | | |
| 15 | 1 | 160664-66211 | SPRING, THROTTLE | 1 | | | | | | | |
| 16 | 1 | 26347-060002 | NUT, M6 | 1 | | | | | | | |
| 17 | 1 | 26366-060002 | NUT, M6 | 1 | | | | | | | |
| 18 | 1 | 26476-060142 | SCREW, TAPPING M6X14 | 2 | | | | | | | |
| 18-1 | 1 | 26476-060122 | SCREW, TAPPING M6X12 | 2 | | | | | | | N |
| (A=E) | | | | | | | | | | | |
| 19 | 1 | 160560-66070 | PIN | 1 | | | | | | | W |
| (A=FROM 1ST) | | | | | | | | | | | |
| 20 | 1 | 160664-66220 | SPRING, RETURN | 1 | | | | | | | W |
| (A=FROM 1ST) | | | | | | | | | | | |
| 21 | 1 | 26116-040088 | BOLT, M4X 8 PLATED | 1 | | | | | | | W |
| (A=FROM 1ST) | | | | | | | | | | | |

Fig.18. ENGINE INSTALLING

18. ENGINE INSTALLING



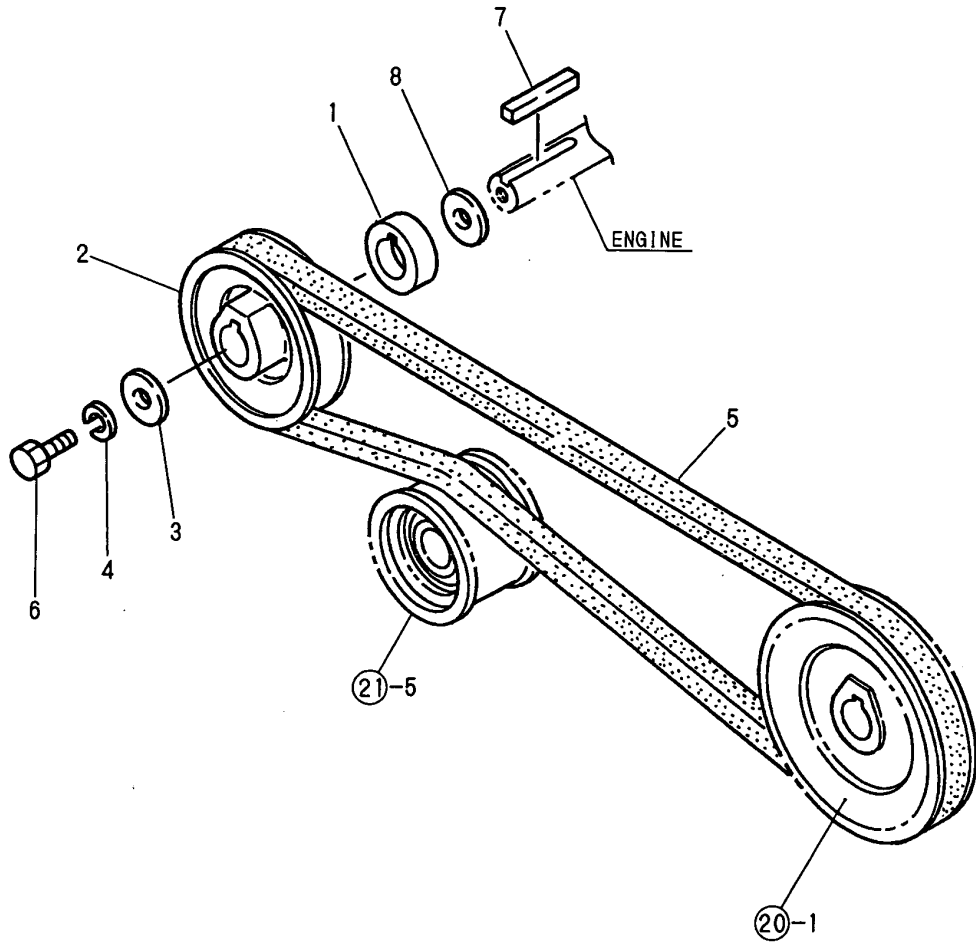
(A)=YK201
(B)=YK281
(C)=

(D)=
(E)=
(F)=

| No. | Lev. | Parts No. | Description | Q'ty | | | | | | I | R |
|-----|------|--------------|---------------------|------|-----|-----|-----|-----|-----|---|---|
| | | | | (A) | (B) | (C) | (D) | (E) | (F) | | |
| 1 | 1 | 1A1760-10400 | COVER A,MUFFLER | 1 | 1 | | | | | | |
| 2 | 1 | 1A1750-63960 | WASHER,ENGINE MTG. | 4 | 4 | | | | | | |
| 3 | 1 | 1A1750-90010 | SCREW 5X8,PAN HD. | 4 | 4 | | | | | | |
| 4 | 1 | 1A1750-90110 | WASHER 5,SPRING | 4 | 4 | | | | | | |
| 5 | 1 | 26107-080352 | BOLT M 8X 35 PLATED | 4 | 4 | | | | | | |
| 5-1 | 1 | 26107-080352 | BOLT M 8X 35 PLATED | 2 | 2 | | | | | | K |
| | | (A=F710001) | (B=F710001) | | | | | | | | |
| 6 | 1 | 26367-080002 | NUT, M8 | 4 | 4 | | | | | | |
| 7 | 1 | 26107-080302 | BOLT M 8X 30 PLATED | 2 | 2 | | | | | | W |
| | | (A=F710001) | (B=F710001) | | | | | | | | |

Fig.19. ENGINE PULLEY

19. ENGINE PULLEY



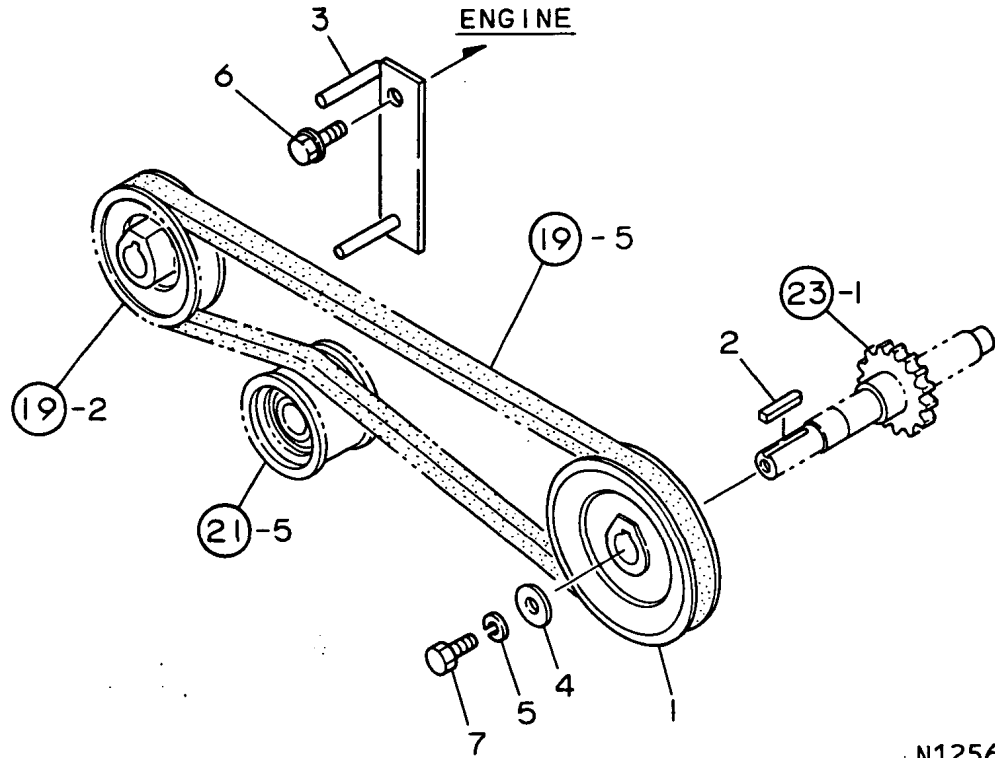
(A)=YK201
(B)=YK281
(C)=

(D)=
(E)=
(F)=

| No. | Lev. | Parts No. | Description | Q'ty | | | | | | I | R |
|-----|------|--------------|---------------------|------|-----|-----|-----|-----|-----|---|---|
| | | | | (A) | (B) | (C) | (D) | (E) | (F) | | |
| 1 | 1 | 1A1750-10030 | COLLAR,PULLEY | 1 | 1 | | | | | | |
| 1-1 | 1 | 1A2190-12110 | COLLAR,PULLEY | 1 | 1 | | | | | | S |
| | | (A=*1996.10) | (B=*1996.10) | | | | | | | | |
| 2 | 1 | 1A1750-10510 | V-PULLEY 65-A1 | 1 | 1 | | | | | | |
| 2-1 | 1 | 1A1750-10520 | V-PULLEY 65-A1 | 1 | 1 | | | | | | S |
| | | (A=*1996.10) | (B=*1996.10) | | | | | | | | |
| 3 | 1 | 160510-14550 | WASHER | 1 | 1 | | | | | | |
| 3-1 | 1 | 22157-060000 | WASHER, 6 | 1 | 1 | | | | | | R |
| | | (A=F710001) | (B=F710001) | | | | | | | | |
| 3-2 | 1 | 1C6020-41060 | WASHER, 6.5X20X2.3 | 1 | 1 | | | | | | N |
| | | (A=*1996.06) | (B=*1990.06) | | | | | | | | |
| 4 | 1 | 22217-060000 | WASHER, SPRING 6 | 1 | 1 | | | | | | |
| 5 | 1 | 25122-002900 | V-BELT, A29 | 1 | 1 | | | | | | |
| 6 | 1 | 26117-060162 | BOLT M 6X 16 PLATED | 1 | 1 | | | | | | |
| 7 | 1 | 22550-040300 | KEY 4X30 | 1 | 1 | | | | | | Z |
| | | (A=FXXX) | (B=FXXX) | | | | | | | | |
| 8 | 1 | 22137-140000 | WASHER, 14 | 1 | 1 | | | | | | W |
| | | (A=*1996.10) | (B=*1996.10) | | | | | | | | |
| 9 | 1 | 1A2190-12110 | COLLAR,PULLEY | 1 | 1 | | | | | | W |
| | | (A=*1996.10) | (B=*1996.10) | | | | | | | | |

Fig.20. MAIN PULLEY

20. MAIN PULLEY



N125644

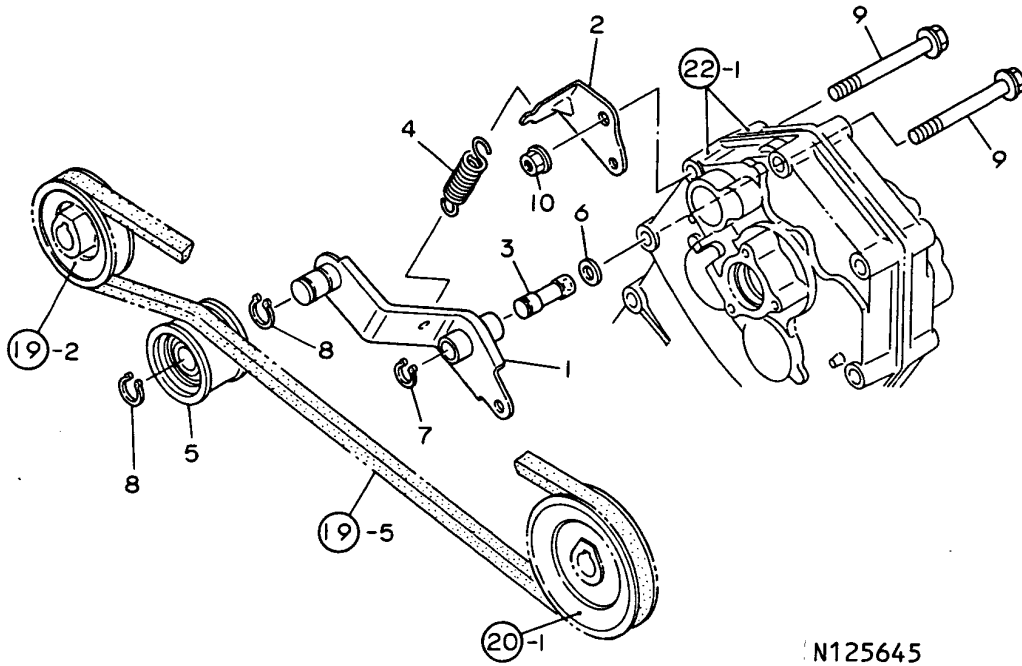
(A)=YK201
(B)=YK281
(C)=

(D)=
(E)=
(F)=

| No. | Lev. | Parts No. | Description | Q'ty | | | | | | I | R |
|-----|------|---------------------------|---------------------|------|-----|-----|-----|-----|-----|---|---|
| | | | | (A) | (B) | (C) | (D) | (E) | (F) | | |
| 1 | 1 | 1A1750-10000 | PULLEY,MAIN SHAFT | 1 | 1 | | | | | | |
| 1-1 | 1 | 1A2190-13300 | V-PULLEY 90A | 1 | 1 | | | | | | R |
| | | (A=*1996.10) (B=*1996.10) | | | | | | | | | |
| 2 | 1 | 1A1750-10040 | KEY 4X4,MAIN | 1 | 1 | | | | | | |
| 3 | 1 | 1A1750-10700 | RETAINER COMP.,BELT | 1 | 1 | | | | | | |
| 4 | 1 | 1C6020-73090 | WASHER, 7X19X1.6 | 1 | 1 | | | | | | |
| 4-1 | 1 | 22157-060000 | WASHER, 6 | 1 | 1 | | | | | | R |
| | | (A=F710001) (B=F710001) | | | | | | | | | |
| 5 | 1 | 22217-060000 | WASHER, SPRING 6 | 1 | 1 | | | | | | |
| 6 | 1 | 26107-080122 | BOLT M 8X 12 PLATED | 1 | 1 | | | | | | |
| 7 | 1 | 26117-060162 | BOLT M 6X 16 PLATED | 1 | 1 | | | | | | |

Fig.21. TENSION CLUTCH

21. TENSION CLUTCH



N125645

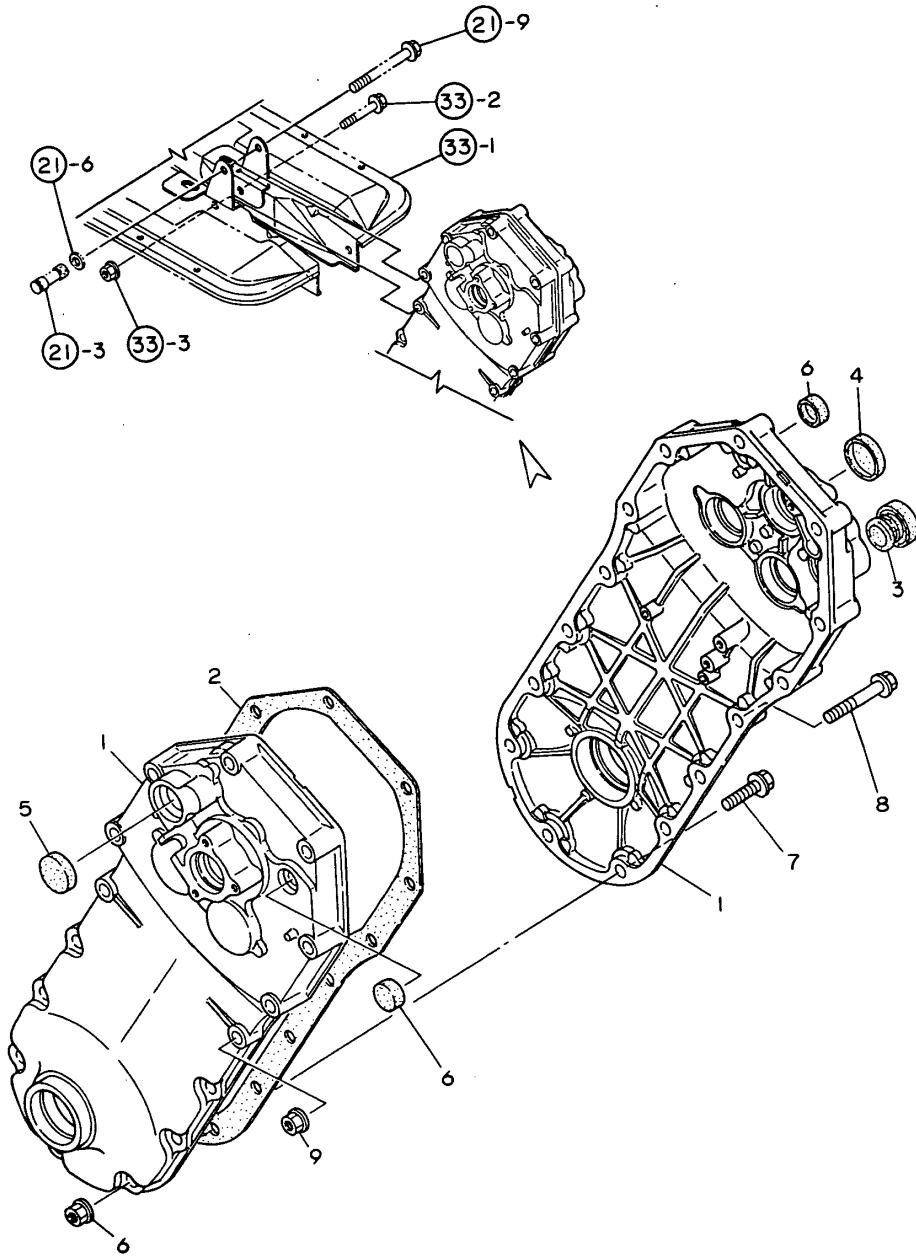
(A)=YK201
(B)=YK281
(C)=

(D)=
(E)=
(F)=

| No. | Lev. | Parts No. | Description | Q'ty | | | | | | I | R |
|-----|------|-------------------------|----------------------|------|-----|-----|-----|-----|-----|---|---|
| | | | | (A) | (B) | (C) | (D) | (E) | (F) | | |
| 1 | 1 | 1A1750-10100 | ARM COMPL,TENSION | 1 | 1 | | | | | | |
| 2 | 1 | 1A1750-10160 | SHOE ASSY.,SPRING | 1 | 1 | | | | | | W |
| | | (A=F710001) (B=F710001) | | | | | | | | | |
| 3 | 1 | 1A1750-10180 | NUT,TENSION | 1 | 1 | | | | | | |
| 4 | 1 | 1A1400-16000 | SPRING 17.2X59 | 1 | 1 | | | | | | |
| 5 | 1 | 1E6250-51790 | ROLLER,TENSION 45X20 | 1 | 1 | | | | | | |
| 6 | 1 | 22137-080000 | WASHER, 8 | 1 | 1 | | | | | | |
| 7 | 1 | 22242-000120 | RING, 12 | 1 | 1 | | | | | | |
| 8 | 1 | 22242-000150 | RING, 15 | 2 | 2 | | | | | | |
| 9 | 1 | 26107-080702 | BOLT M 8X 70 PLATED | 2 | 2 | | | | | | |
| 10 | 1 | 26367-080002 | NUT, M8 | 1 | 1 | | | | | | |

Fig.22. TRANSMISSION CASE

22. TRANSMISSION CASE



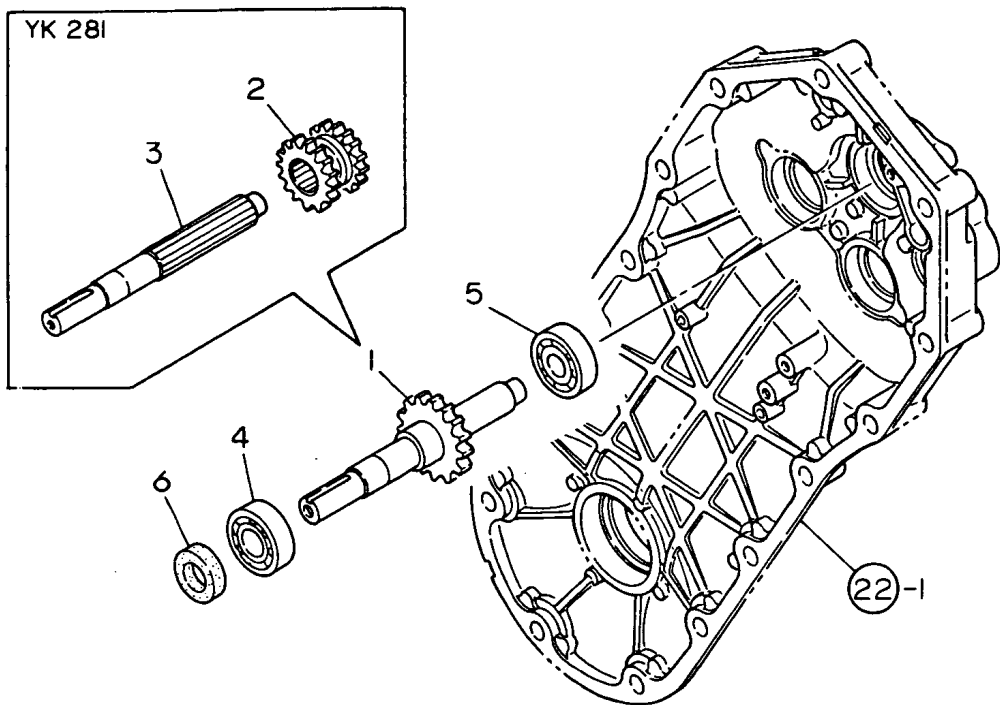
(A)=YK201
(B)=YK281
(C)=

(D)=
(E)=
(F)=

| No. | Lev. | Parts No. | Description | Q'ty | | | | | | I | R |
|-----|------|--------------|----------------------|------|-----|-----|-----|-----|-----|---|---|
| | | | | (A) | (B) | (C) | (D) | (E) | (F) | | |
| 1 | 1 | 1A1750-20010 | CASE, TRANSMISSION | 2 | 2 | | | | | | |
| 2 | 1 | 1A1750-20030 | PACKING, TRANSM CASE | 1 | 1 | | | | | | |
| 3 | 1 | 1A1470-20090 | CAP 35, OIL FILLER | 1 | 1 | | | | | | |
| 4 | 1 | 1A1750-20410 | CAP 30X5, SEAL | 1 | 1 | | | | | | |
| 5 | 1 | 1A1750-20421 | CAP 26X6, SEAL | 1 | 1 | | | | | | |
| 6 | 1 | 1A1750-20431 | CAP 18X7, SEAL | 2 | 1 | | | | | | |
| 7 | 1 | 26107-080252 | BOLT M 8X 25 PLATED | 7 | 7 | | | | | | |
| 8 | 1 | 26107-080452 | BOLT M 8X 45 PLATED | 1 | 1 | | | | | | |
| 9 | 1 | 26367-080002 | NUT, M8 | 8 | 8 | | | | | | |

Fig.23. MAIN SHAFT

23. MAIN SHAFT



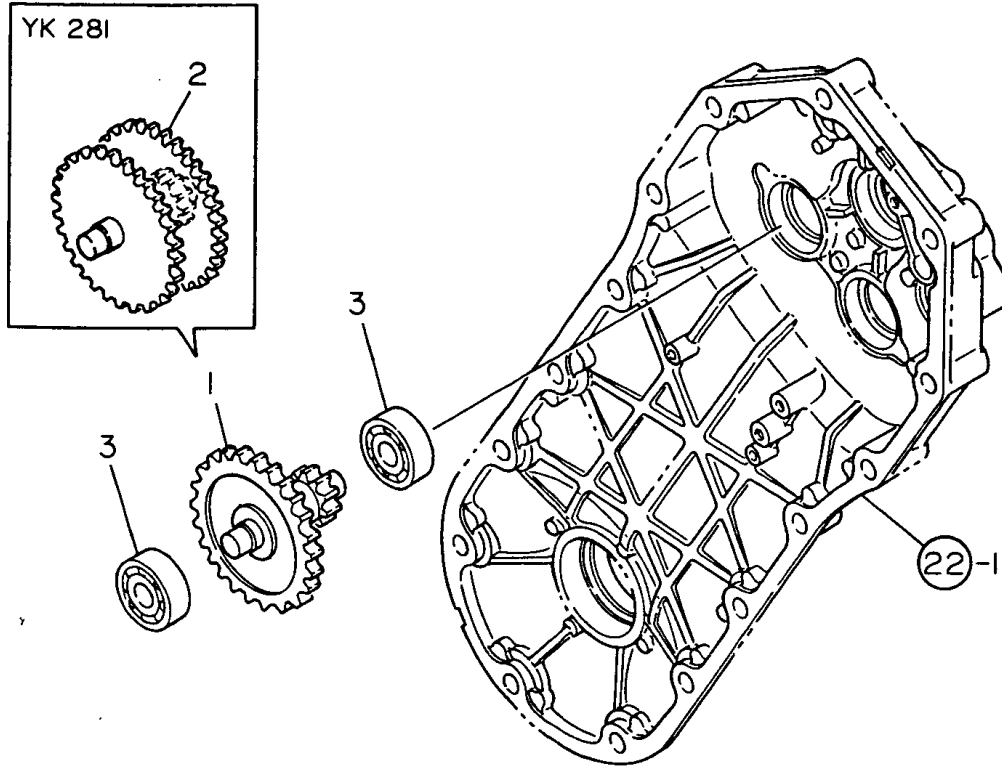
(A)=YK201
(B)=YK281
(C)=

(D)=
(E)=
(F)=

| No. | Lev. | Parts No. | Description | Q'ty | | | | | | I | R |
|-----|------|--------------|--------------------|------|-----|-----|-----|-----|-----|---|---|
| | | | | (A) | (B) | (C) | (D) | (E) | (F) | | |
| 1 | 1 | 1A1750-20051 | SHAFT,MAIN | 1 | | | | | | | |
| 2 | 1 | 1A1860-20060 | GEAR 16 | | 1 | | | | | | |
| 3 | 1 | 1A1750-21051 | SHAFT,MAIN | | | 1 | | | | | |
| 4 | 1 | 24101-060024 | BEARING, BALL 6002 | 1 | 1 | | | | | | |
| 5 | 1 | 24101-062014 | BEARING, BALL 6201 | 1 | 1 | | | | | | |
| 6 | 1 | 24421-152507 | SEAL, OIL TC152507 | 1 | 1 | | | | | | |

Fig.24. SUB SHAFT

24. SUB SHAFT



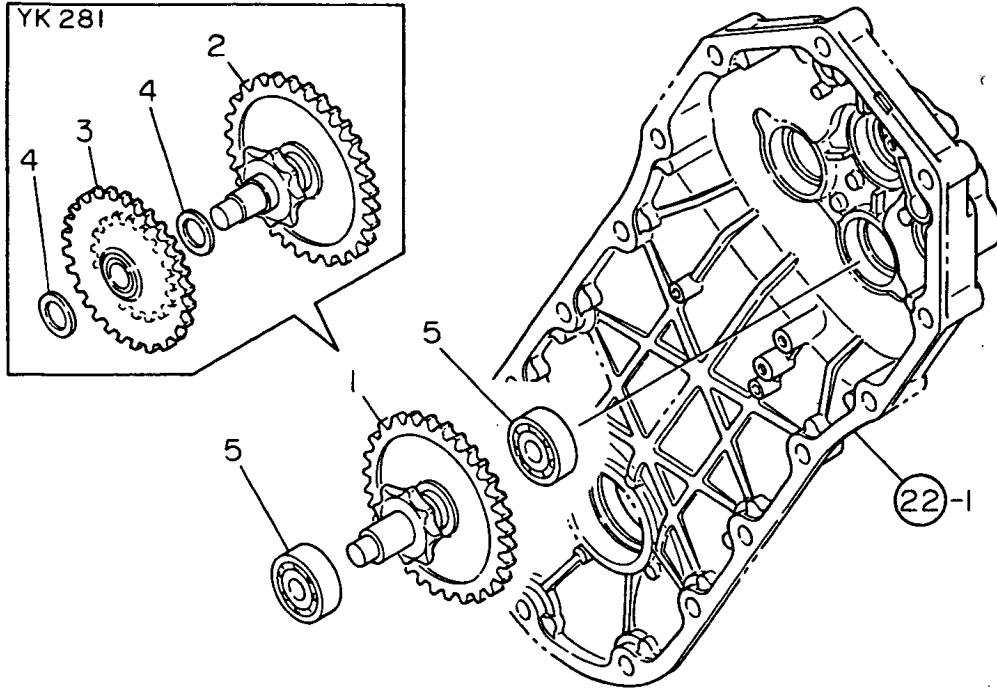
(A)=YK201
(B)=YK281
(C)=

(D)=
(E)=
(F)=

| No. | Lev. | Parts No. | Description | Q'ty | | | | | | I | R |
|-----|------|--------------|---------------------|------|-----|-----|-----|-----|-----|---|---|
| | | | | (A) | (B) | (C) | (D) | (E) | (F) | | |
| 1 | 1 | 1A1750-20100 | SHAFT COMPL,MAIN | 1 | | | | | | | |
| 2 | 1 | 1A1860-20101 | SHAFT COMP.,COUNTER | | 1 | | | | | | |
| 3 | 1 | 24101-062014 | BEARING, BALL 6201 | 2 | 2 | | | | | | |

Fig.25. SPEED REDUCTION SHAFT

25. SPEED REDUCTION SHAFT



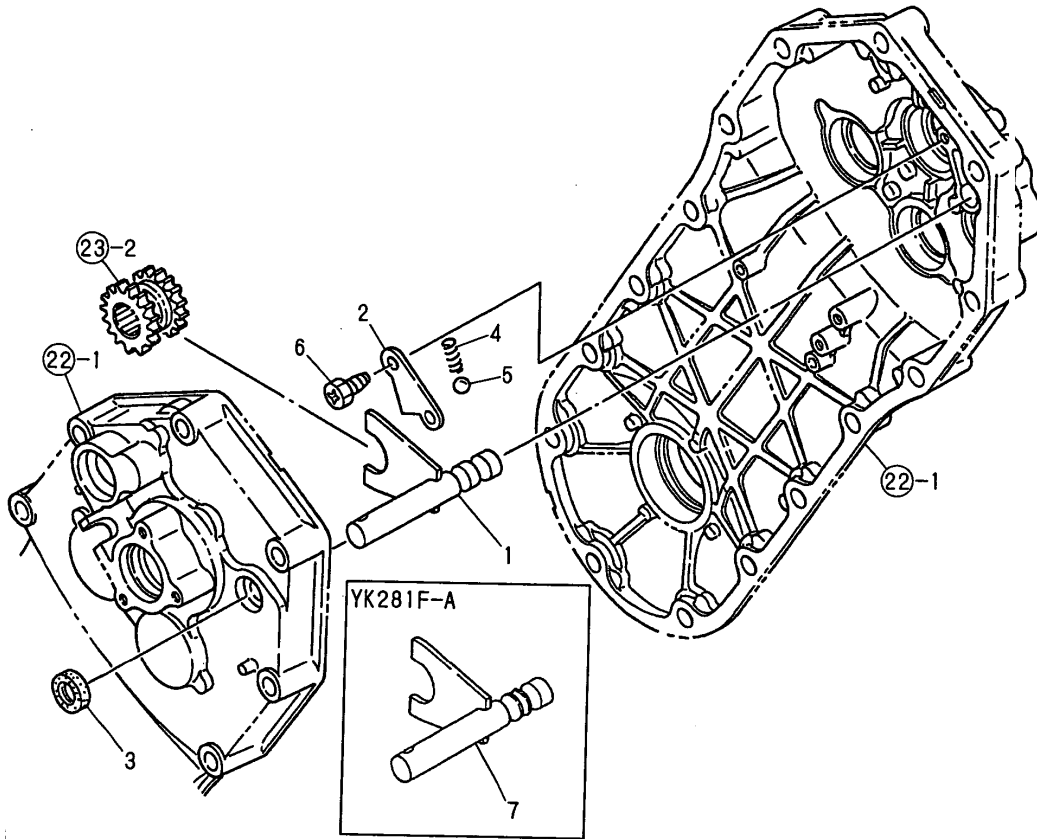
(A)=YK201
(B)=YK281
(C)=

(D)=
(E)=
(F)=

| No. | Lev. | Parts No. | Description | Q'ty | | | | | | I | R |
|--------------|------|--------------|--------------------|------|-----|-----|-----|-----|-----|---|---|
| | | | | (A) | (B) | (C) | (D) | (E) | (F) | | |
| 1 | 1 | 1A1750-20150 | SHAFT COMPL.,FINAL | 1 | | | | | | | |
| 1-1 | 1 | 1A2190-23300 | END-SHAFT | 1 | | | | | | | N |
| (A=*1996.01) | | | | | | | | | | | |
| 2 | 1 | 1A1860-20151 | SHAFT COMP.,FINAL | | 1 | | | | | | |
| 3 | 1 | 1A1860-20250 | GEAR 39X19 | | 1 | | | | | | |
| 3-1 | 1 | 1A1860-20251 | GEAR 39X19 COMPL. | | 1 | | | | | | N |
| (B=F710175) | | | | | | | | | | | |
| 4 | 1 | 1A1860-20280 | SHIM 15.22.1.0 | | 2 | | | | | | |
| 5 | 1 | 24101-062014 | BEARING, BALL 6201 | 2 | 2 | | | | | | |

Fig.27. CHANGE

27. CHANGE



(A)=YK201
(B)=YK281
(C)=

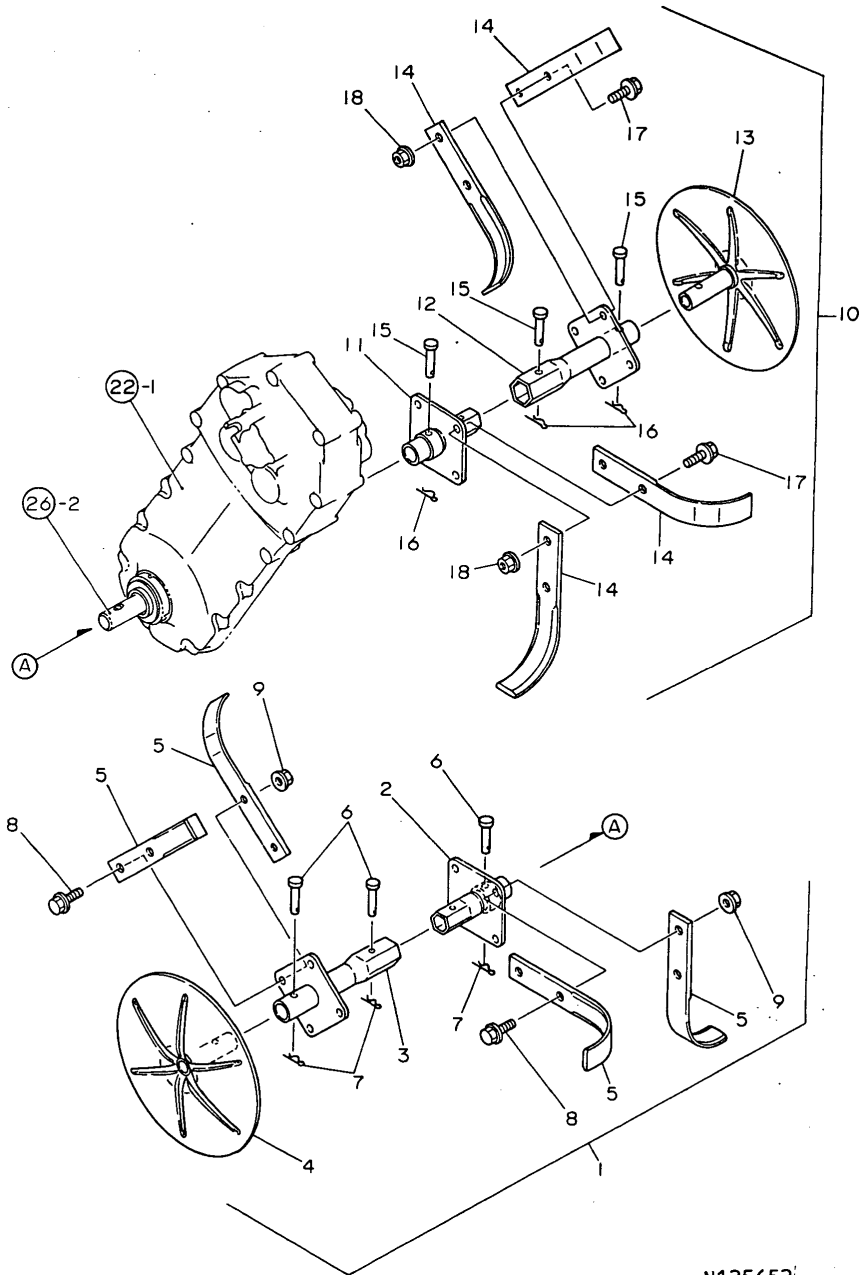
(D)=
(E)=
(F)=

| No. | Lev. | Parts No. | Description | Qty | | | | | | I | R | |
|-----|------|--------------|----------------------|-----|-----|-----|-----|-----|-----|---|---|---|
| | | | | (A) | (B) | (C) | (D) | (E) | (F) | | | |
| 1 | 1 | 1A1750-21300 | FORK COMP.CHANGE | | 1 | | | | | | | |
| 2 | 1 | 1A1750-21350 | KEEP PLATE,BALL | | 1 | | | | | | | |
| 3 | 1 | 1A1104-28230 | OIL SEAL 12184 | | 1 | | | | | | | |
| 4 | 1 | 1E6150-56040 | SPRING, FORK | | 1 | | | | | | | |
| 5 | 1 | 24190-100001 | BALL, STEEL 5/16 | | 1 | | | | | | | |
| 6 | 1 | 26476-060142 | SCREW, TAPPING M6X14 | | 2 | | | | | | | |
| 7 | 1 | 1A1750-21330 | FORK COMP.CHANGE | | 1 | | | | | | | 1 |

Remarks
(1)YK281F-A

Fig.28. AXLE ROTOR

28. AXLE ROTOR



(A)=YK201
(B)=YK281
(C)=

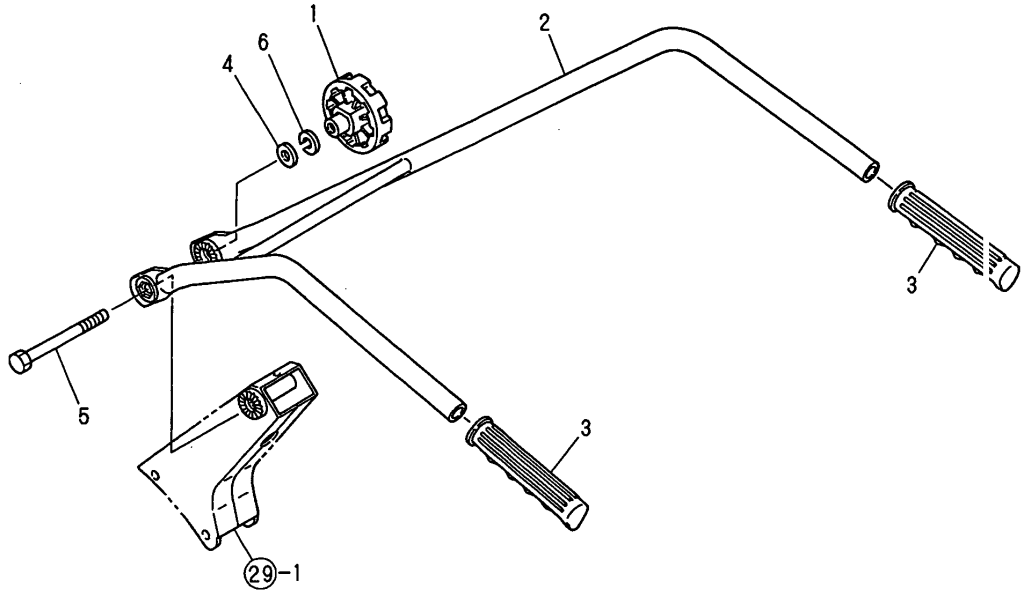
(D)=
(E)=
(F)=

| No. | Lev. | Parts No. | Description | Q'ty | | | | | | I | R |
|-----|------|--------------|----------------------|------|-----|-----|-----|-----|-----|---|---|
| | | | | (A) | (B) | (C) | (D) | (E) | (F) | | |
| 1 | 1 | 1A1750-30000 | ROTOR L COMPL. | 1 | 1 | | | | | | |
| 2 | 2 | 1A1750-30100 | SHAFT COMPL.,ROTOR | 1 | 1 | | | | | | |
| 3 | 2 | 1A1760-30200 | SHAFT COMPL.,EXTENS. | 1 | 1 | | | | | | |
| 4 | 2 | 1A1760-30300 | DISC COMPL. | 1 | 1 | | | | | | |
| 5 | 2 | 1A1540-43310 | TAIN,ROTOR | 8 | 8 | | | | | | |
| 6 | 2 | 1A1540-46010 | PIN 8X35,FLAT HEAD | 3 | 3 | | | | | | |
| 7 | 2 | 1A1540-46020 | PIN 8,SNAP | 3 | 3 | | | | | | |
| 8 | 2 | 26107-080202 | BOLT M 8X 20 PLATED | 8 | 8 | | | | | | |
| 9 | 2 | 26367-080002 | NUT, M8 | 8 | 8 | | | | | | |
| 10 | 1 | 1A1750-30050 | ROTOR R COMPL. | 1 | 1 | | | | | | |
| 11 | 2 | 1A1750-30100 | SHAFT COMPL.,ROTOR | 1 | 1 | | | | | | |
| 12 | 2 | 1A1760-30200 | SHAFT COMPL.,EXTENS. | 1 | 1 | | | | | | |
| 13 | 2 | 1A1760-30300 | DISC COMPL. | 1 | 1 | | | | | | |
| 14 | 2 | 1A1540-43310 | TAIN,ROTOR | 8 | 8 | | | | | | |
| 15 | 2 | 1A1540-46010 | PIN 8X35,FLAT HEAD | 3 | 3 | | | | | | |
| 16 | 2 | 1A1540-46020 | PIN 8,SNAP | 3 | 3 | | | | | | |
| 17 | 2 | 26107-080202 | BOLT M 8X 20 PLATED | 8 | 8 | | | | | | |
| 18 | 2 | 26367-080002 | NUT, M8 | 8 | 8 | | | | | | |

N125652

Fig.30. HANDLE

30. HANDLE



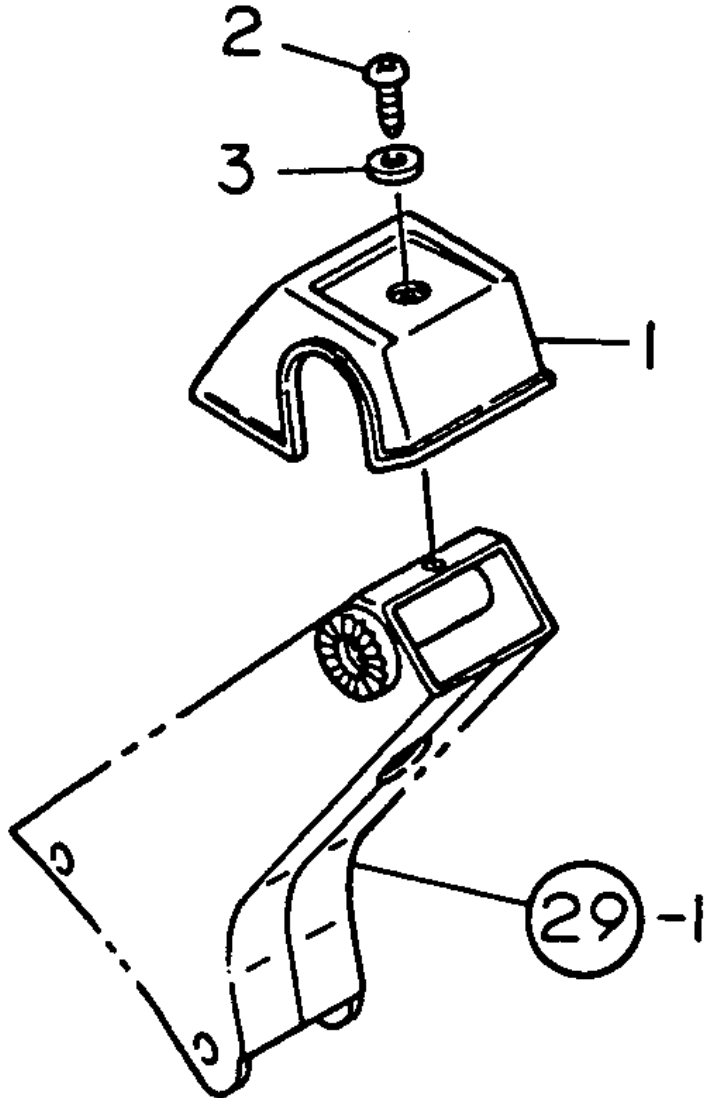
(A)=YK201
(B)=YK281
(C)=

(D)=
(E)=
(F)=

| No. | Lev. | Parts No. | Description | Q'ty | | | | | | I | R |
|-----|------|--------------|----------------------|------|-----|-----|-----|-----|-----|---|---|
| | | | | (A) | (B) | (C) | (D) | (E) | (F) | | |
| 1 | 1 | 1A1750-40210 | KNOB 10,CLAMPING | 1 | 1 | | | | | | |
| 2 | 1 | 1A1750-40400 | HANDLE.COMPL. | 1 | 1 | | | | | | |
| 3 | 1 | 1C6080-51310 | GRIP, HANDLE | 2 | 2 | | | | | | |
| 4 | 1 | 22137-100000 | WASHER, 10 | 1 | 1 | | | | | | |
| 5 | 1 | 26157-101002 | BOLT, M10X100 PLATED | 1 | 1 | | | | | | |

Fig.31. HANDLE COVER

31. HANDLE COVER



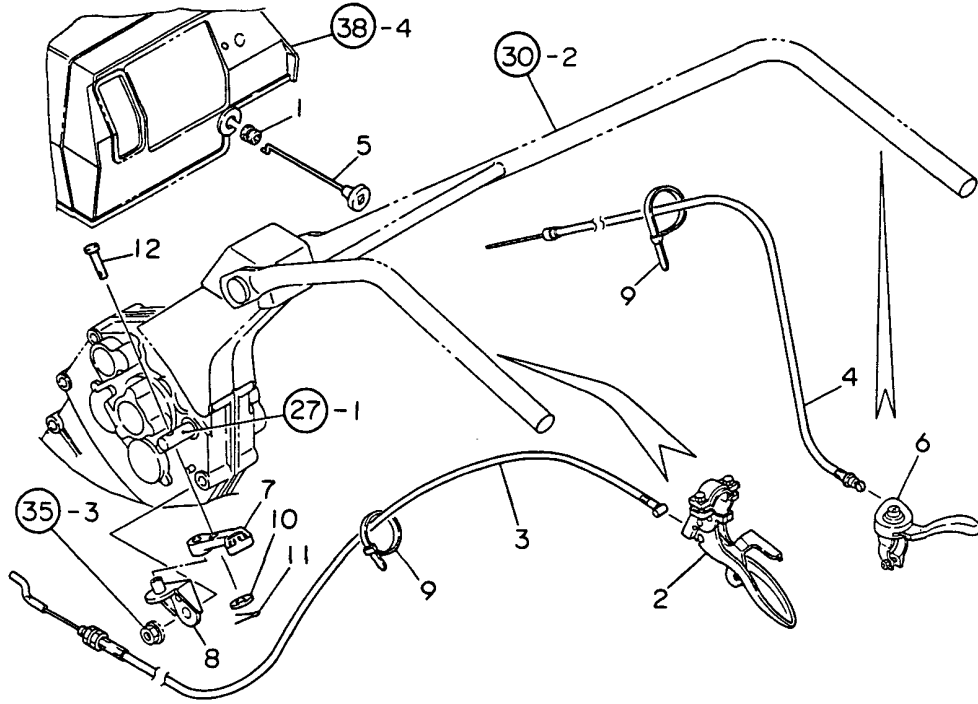
(A)=YK201
(B)=YK281
(C)=

(D)=
(E)=
(F)=

| No. | Lev. | Parts No. | Description | Q'ty | | | | | | I | R |
|-----|------|--------------|--------------------|------|-----|-----|-----|-----|-----|---|---|
| | | | | (A) | (B) | (C) | (D) | (E) | (F) | | |
| 1 | 1 | 1A1750-40200 | COVER,HANDLE FRAME | 1 | 1 | | | | | | |
| 2 | 1 | 1A1750-90060 | SCREW 5X16,TAPPING | 1 | 1 | | | | | | |
| 3 | 1 | 1A1750-90150 | WASHER 5,PLAIN | 1 | 1 | | | | | | |

Fig.32. CONTROL LEVER

32. CONTROL LEVER



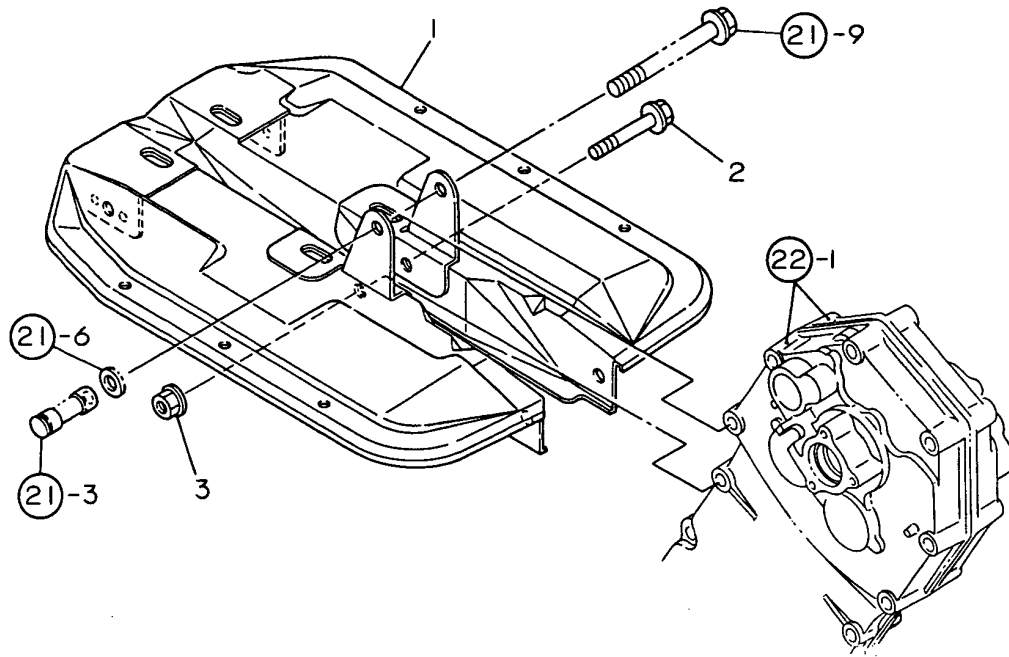
(A)=YK201
(B)=YK281
(C)=

(D)=
(E)=
(F)=

| No. | Lev. | Parts No. | Description | Q'ty | | | | | | I | R |
|-----|------|--------------|----------------------|------|-----|-----|-----|-----|-----|---|---|
| | | | | (A) | (B) | (C) | (D) | (E) | (F) | | |
| 1 | 1 | 1A1750-40490 | GROMMET | 1 | 1 | | | | | | |
| 2 | 1 | 1A1750-40500 | LEVER COMP,MN.CLUTCH | 1 | 1 | | | | | | |
| 3 | 1 | 1A1750-40510 | WIRE,MAIN CLUTCH | 1 | 1 | | | | | | |
| 4 | 1 | 1A1750-40900 | WIRE,ACCELERATOR | 1 | 1 | | | | | | |
| 5 | 1 | 1A1750-40910 | LEVER C,CHOKE | 1 | 1 | | | | | | |
| 6 | 1 | 1A1750-43550 | LEVER COMPL.,ACCEL | 1 | 1 | | | | | | |
| 7 | 1 | 1A1750-51100 | LEVER,CHANGE | | 1 | | | | | | |
| 8 | 1 | 1A1750-51150 | FULCRUM COMP.,CHANGE | | 1 | | | | | | |
| 9 | 1 | 1E6102-84970 | BAND 140,WIRE LOCK | | 2 | 2 | | | | | |
| 10 | 1 | 22137-060000 | WASHER, 6 | | 1 | | | | | | |
| 11 | 1 | 22417-200120 | COTTER PIN 2.0X12 | | 1 | | | | | | |
| 12 | 1 | 22487-060260 | PIN, H 6X 26 | | 1 | | | | | | |

Fig.33. ENGINE FRAME

33. ENGINE FRAME



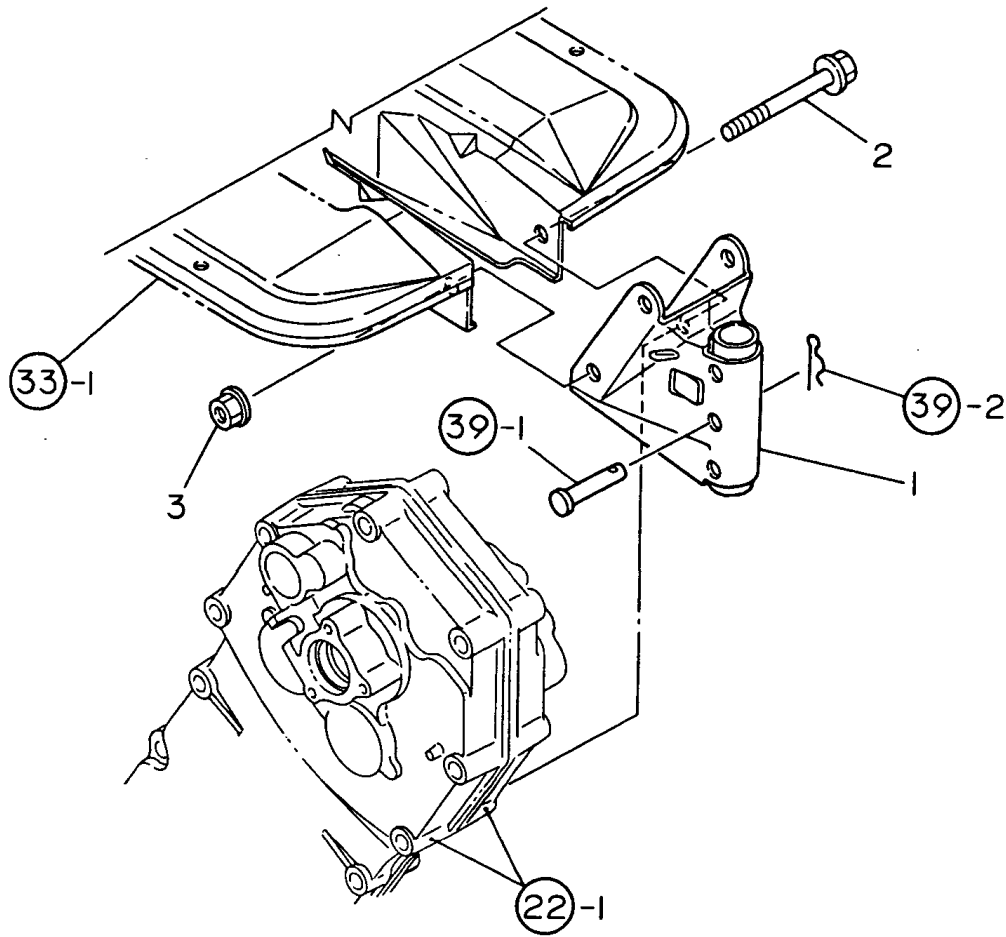
(A)=YK201
(B)=YK281
(C)=

(D)=
(E)=
(F)=

| No. | Lev. | Parts No. | Description | Q'ty | | | | | | I | R |
|-----|------|--------------|---------------------|------|-----|-----|-----|-----|-----|---|---|
| | | | | (A) | (B) | (C) | (D) | (E) | (F) | | |
| 1 | 1 | 1A1750-63500 | FRAME COMP.,ENGINE | 1 | 1 | | | | | | |
| 2 | 1 | 26107-080502 | BOLT M 8X 50 PLATED | 1 | 1 | | | | | | |
| 3 | 1 | 26367-080002 | NUT, M8 | 1 | 1 | | | | | | |

Fig.35. HITCH

35. HITCH



N125659

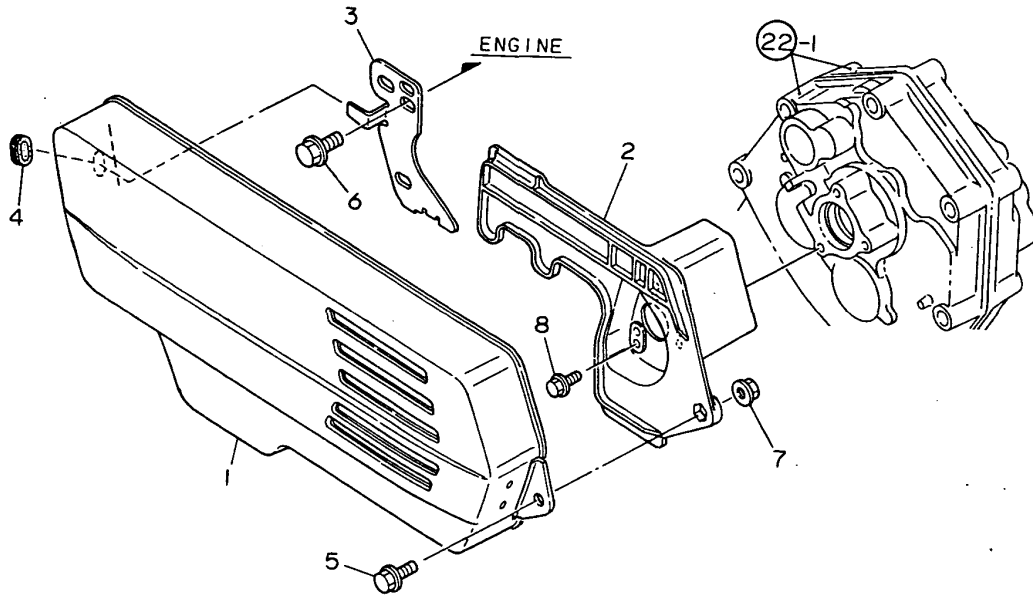
(A)=YK201
(B)=YK281
(C)=

(D)=
(E)=
(F)=

| No. | Lev. | Parts No. | Description | Q'ty | | | | | | I | R |
|-----|------|--------------|---------------------|------|-----|-----|-----|-----|-----|---|---|
| | | | | (A) | (B) | (C) | (D) | (E) | (F) | | |
| 1 | 1 | 1A1750-60500 | HITCH COMPL | 1 | 1 | | | | | | |
| 2 | 1 | 26107-080702 | BOLT M 8X 70 PLATED | 2 | 2 | | | | | | |
| 3 | 1 | 26367-080002 | NUT, M8 | 2 | 2 | | | | | | |

Fig.36. BELT COVER

36. BELT COVER



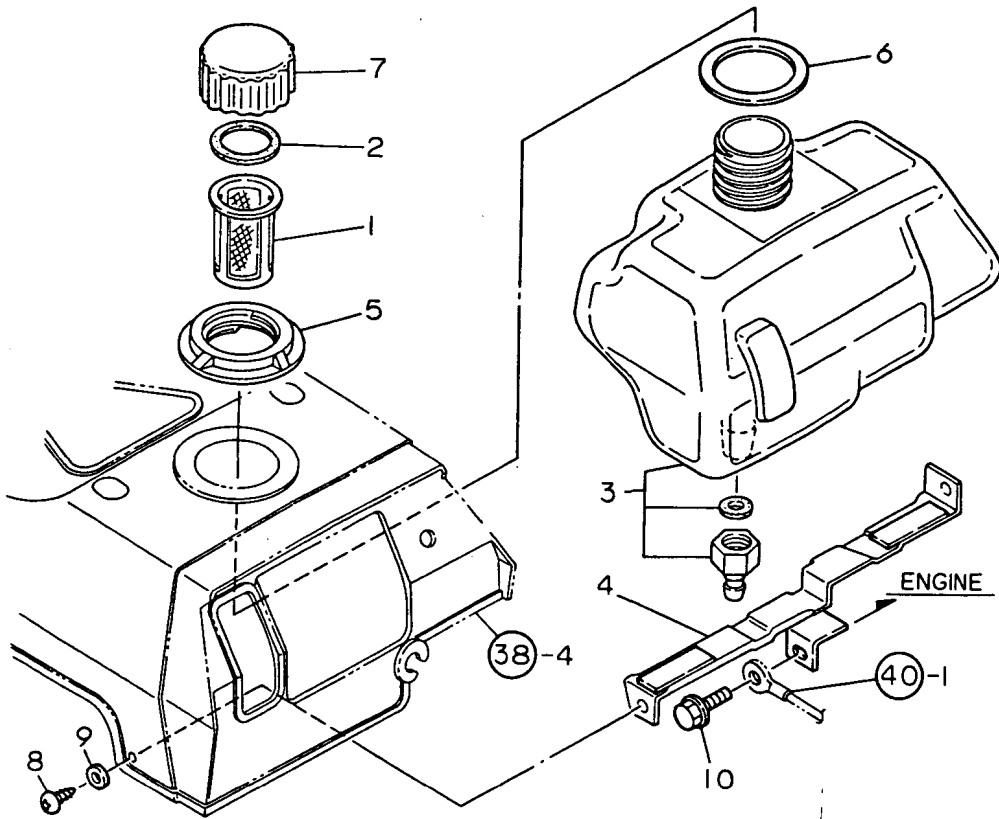
(A)=YK201
(B)=YK281
(C)=

(D)=
(E)=
(F)=

| No. | Lev. | Parts No. | Description | Q'ty | | | | | | I | R |
|-----|------|--------------|----------------------|------|-----|-----|-----|-----|-----|---|---|
| | | | | (A) | (B) | (C) | (D) | (E) | (F) | | |
| 1 | 1 | 1A1750-10280 | COVER COMPL,BEL | 1 | 1 | | | | | | |
| 2 | 1 | 1A1750-10350 | COVER,BACK | 1 | 1 | | | | | | |
| 3 | 1 | 1A1750-10750 | STAY,BELT COVER | 1 | 1 | | | | | | |
| 4 | 1 | 1H6020-60170 | BUSH,RUBBER | 1 | 1 | | | | | | |
| 5 | 1 | 26107-060122 | BOLT M 6X 12 PLATED | 1 | 1 | | | | | | |
| 6 | 1 | 26107-080122 | BOLT M 8X 12 PLATED | 2 | 2 | | | | | | |
| 7 | 1 | 26367-060002 | NUT, M6 | 1 | 1 | | | | | | |
| 8 | 1 | 26476-060142 | SCREW, TAPPING M6X14 | 3 | 3 | | | | | | |

Fig.37. FUEL OIL TANK

37. FUEL OIL TANK



N125661

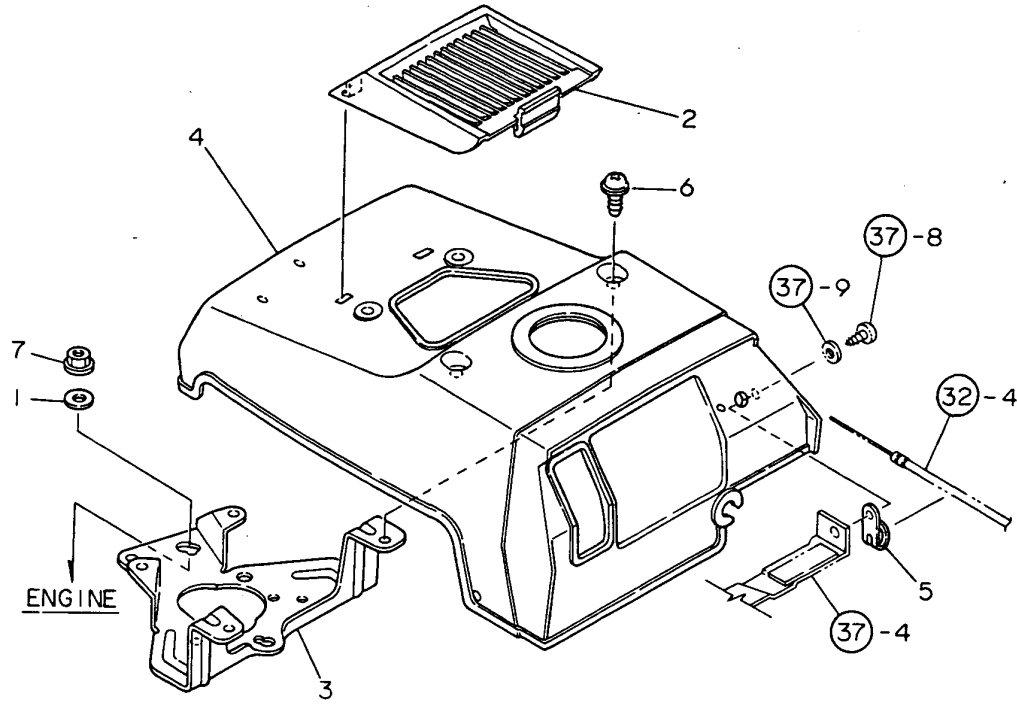
(A)=YK201
(B)=YK281
(C)=

(D)=
(E)=
(F)=

| No. | Lev. | Parts No. | Description | Q'ty | | | | | | I | R |
|------|------|--------------|----------------------|-------------|-------------|-----|-----|-----|-----|---|---|
| | | | | (A) | (B) | (C) | (D) | (E) | (F) | | |
| 1 | 1 | 1D2042-41200 | STRAINER,FUEL | 1 | 1 | | | | | | |
| 2 | 1 | 1D2040-48010 | PACKING,FUEL TK.CAP | 1 | 1 | | | | | | |
| 3 | 1 | 1A1750-60291 | FUEL TANK ASSY | 1 | 1 | | | | | | |
| 4 | 1 | 1A1750-60850 | BRACKET,FUEL TK.MTG. | 1 | 1 | | | | | | |
| 5 | 1 | 1A1540-62110 | RING,MOUNTING | 1 | 1 | | | | | | |
| 6 | 1 | 1A1540-62140 | CUSHION,TANK | 1 | 1 | | | | | | |
| 7 | 1 | 1A1540-62170 | CAP,FUEL TANK | 1 | 1 | | | | | | |
| 8 | 1 | 1A1750-90050 | SCREW 5X10,TAPPING | 2 | 2 | | | | | | |
| 9 | 1 | 1A1750-90150 | WASHER 5,PLAIN | 2 | 2 | | | | | | |
| 10 | 1 | 26107-060122 | BOLT M 6X 12 PLATED | 1 | 1 | | | | | | |
| 10-1 | 1 | 1D3030-22060 | BOLT 6X12 | 1 | 1 | | | | | | N |
| | | | | (A=F710001) | (B=F710001) | | | | | | |

Fig.38. BONNET

38. BONNET



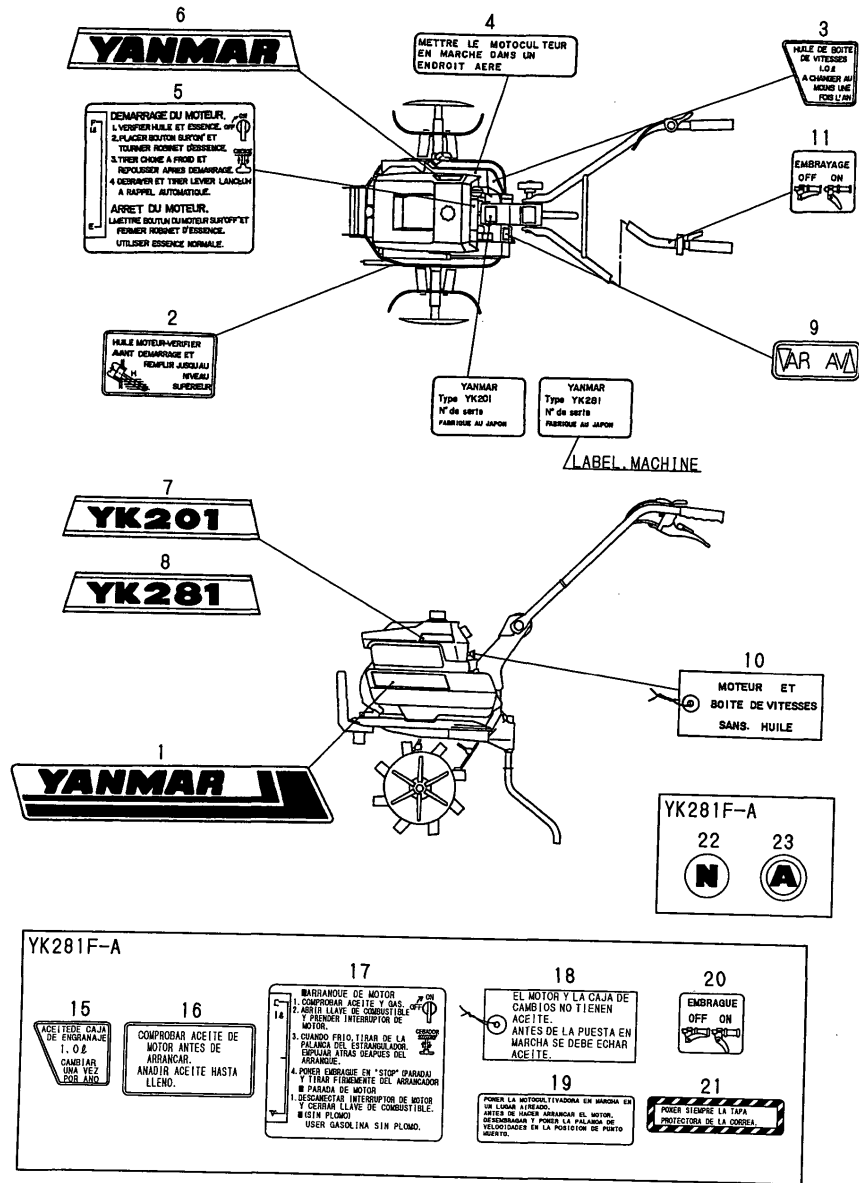
(A)=YK201
(B)=YK281
(C)=

(D)=
(E)=
(F)=

| No. | Lev. | Parts No. | Description | Q'ty | | | | | | I | R |
|-----|------|--------------|----------------------|------|-----|-----|-----|-----|-----|---|---|
| | | | | (A) | (B) | (C) | (D) | (E) | (F) | | |
| 1 | 1 | 160510-14550 | WASHER | 4 | 4 | | | | | | |
| 2 | 1 | 1A1750-60140 | CAP,PLUG | 1 | 1 | | | | | | |
| 3 | 1 | 1A1750-60880 | BRACKET,BONNET MTG. | 1 | 1 | | | | | | |
| 4 | 1 | 1A1750-63100 | WHITE BONNET | 1 | 1 | | | | | | |
| 5 | 1 | 1D2050-65010 | BAND,WIRE LOCK | 1 | 1 | | | | | | |
| 6 | 1 | 1A1750-90200 | SCREW 6X12,COLLAR HD | 4 | 4 | | | | | | |
| 7 | 1 | 26367-060002 | NUT, M6 | 4 | 4 | | | | | | |

Fig.41. LABELS

41. LABELS



(A)=YK201
(B)=YK281
(C)=

(D)=
(E)=
(F)=

| No. | Lev. | Parts No. | Description | Q'ty | | | | | | I | R |
|-----|------|--------------|----------------------|------|-----|-----|-----|-----|-----|---|---|
| | | | | (A) | (B) | (C) | (D) | (E) | (F) | | |
| 1 | 1 | 1A1750-80000 | MARK,BELT COVER | 1 | 1 | | | | | | |
| 2 | 1 | 1A1750-83350 | LABEL,ENGINE OIL | 1 | 1 | | | | | | |
| 3 | 1 | 1A1750-83360 | LABEL,TRANSM.OIL | 1 | 1 | | | | | | |
| 4 | 1 | 1A1750-83230 | LABEL,EXHAUST CAUT'N | 1 | 1 | | | | | | |
| 5 | 1 | 1A1750-83370 | LABEL,CONTROL | 1 | 1 | | | | | | |
| 6 | 1 | 1A1750-83500 | MARK "YANMAR" | 1 | 1 | | | | | | |
| 7 | 1 | 1A1750-83510 | PLATE 201,ORNAMENTAL | 1 | | | | | | | |
| 8 | 1 | 1A1750-83520 | PLATE 281,ORNAMENTAL | | 1 | | | | | | |
| 9 | 1 | 1A1750-83550 | LABEL,CHANGE | | 1 | | | | | | |
| 10 | 1 | 1A1107-88070 | LABEL,OIL CAUTION | 1 | 1 | | | | | | |
| 11 | 1 | 1A1540-88880 | LABEL | 1 | 1 | | | | | | |
| 12 | 1 | 160602-07800 | LABEL,FUEL COCK | 1 | 1 | | | | | | |
| 13 | 1 | 1A1750-83530 | LABEL 201,MACHINE | 1 | | | | | | | |
| 14 | 1 | 1A1750-83540 | LABEL 281,MACHINE | | 1 | | | | | | |
| 15 | 1 | 1A1402-82030 | LABEL,TLANSM.OIL | 1 | | | | | | | 1 |
| 16 | 1 | 1A1750-83240 | LABEL,ENGINE OIL | 1 | | | | | | | 1 |
| 17 | 1 | 1A1750-83320 | LABEL,CONTROL | 1 | | | | | | | 1 |
| 18 | 1 | 1A1107-88820 | LABEL | 1 | | | | | | | 1 |
| 19 | 1 | 1A1107-88830 | LABEL | 1 | | | | | | | 1 |
| 20 | 1 | 1A1540-88830 | LABEL | 1 | | | | | | | 1 |
| 21 | 1 | 1A1107-88840 | LABEL | 1 | | | | | | | 1 |
| 22 | 1 | 1A1750-83570 | MARK "N" | | 1 | | | | | | 2 |
| 23 | 1 | 1A1602-86400 | MARK A | | 1 | | | | | | 2 |

Remarks
(1)YK201-E
(2)YK281F-A

Parts No. Index

| Parts No. | Fig. No. | Ref. No. |
|--------------|----------|----------|
| 104200-59170 | 1 | 12 |
| | 3 | 12 |
| 106990-44660 | 13 | 1 |
| 124722-59050 | 13 | 2 |
| 160120-76940 | 14 | 8 |
| 160510-02220 | 8 | 9 |
| 160510-14550 | 19 | 3 |
| | 38 | 1 |
| 160510-56150 | 3 | 14 |
| | 5 | 10 |
| | | 14 |
| 160510-56610 | 12 | 12 |
| 160510-56640 | 12 | 8 |
| 160510-56680 | 12 | 7 |
| 160510-56770 | 12 | 13 |
| 160520-12500 | 5 | 1 |
| 160520-12510 | 5 | 2 |
| 160520-12520 | 5 | 6 |
| 160520-12530 | 5 | 3 |
| 160520-12540 | 5 | 7 |
| 160520-12550 | 5 | 8 |
| 160520-12560 | 5 | 4 |
| 160520-12580 | 5 | 9 -1 |
| 160520-66290 | 15 | 4 |
| | | 8 |
| 160520-66291 | 15 | 4 -1 |
| | | 8 -1 |
| 160520-66750 | 5 | 16 |
| 160520-78010 | 17 | 1 |
| 160520-78050 | 17 | 2 |
| 160540-56620 | 12 | 6 |
| 160560-01740 | 1 | 6 |
| 160560-66070 | 15 | 19 |
| 160560-78700 | 5 | 11 |
| 160602-07160 | 3 | 4 |
| 160602-07250 | 3 | 5 |
| 160602-07800 | 3 | 7 |
| | 41 | 12 |
| 160610-01690 | 1 | 5 |
| 160610-04360 | 1 | 9 |
| 160610-04390 | 1 | 10 |
| 160610-04570 | 1 | 16 |
| 160610-21290 | 8 | 5 |
| 160610-56090 | 12 | 4 |
| 160610-56631 | 12 | 3 |
| 160610-56750 | 12 | 11 |
| 160610-61100 | 14 | 1 |
| 160610-61300 | 14 | 2 |
| 160611-04620 | 1 | 11 |
| 160611-04750 | 1 | 15 |

| Parts No. | Fig. No. | Ref. No. |
|--------------|----------|----------|
| 160662-03010 | 2 | 1 |
| 160662-07100 | 3 | 2 |
| 160662-07370 | 3 | 6 |
| 160662-12580 | 5 | 9 |
| 160662-12590 | 5 | 13 |
| 160662-13510 | 6 | 2 |
| 160662-45100 | 10 | 2 |
| 160662-45260 | 10 | 4 |
| 160662-55360 | 11 | 7 |
| 160662-56010 | 12 | 1 |
| 160662-56700 | 12 | 9 |
| 160662-66010 | 15 | 1 |
| 160662-78060 | 17 | 4 |
| 160662-78510 | 17 | 6 |
| 160663-11010 | 4 | 1 |
| 160664-01010 | 1 | 1 |
| 160664-01331 | 1 | 2 |
| | 3 | 9 |
| 160664-01400 | 1 | 3 |
| 160664-01401 | 1 | 3 -1 |
| 160664-01410 | 1 | 4 |
| | 3 | 10 |
| 160664-01411 | 1 | 4 -1 |
| | 3 | 10 -1 |
| 160664-02100 | 8 | 8 |
| 160664-03070 | 2 | 4 |
| | 3 | 13 |
| 160664-11100 | 4 | 2 |
| 160664-11110 | 4 | 3 |
| 160664-11120 | 4 | 4 |
| 160664-11180 | 4 | 6 |
| 160664-11800 | 4 | 7 |
| 160664-13200 | 3 | 15 |
| | 6 | 1 |
| 160664-14100 | 7 | 1 |
| 160664-14200 | 7 | 10 |
| 160664-14550 | 7 | 7 |
| 160664-14560 | 7 | 8 |
| 160664-21250 | 8 | 6 |
| 160664-22010 | 9 | 1 |
| 160664-22020 | 9 | 1 -1 |
| 160664-22300 | 9 | 7 |
| 160664-22470 | 9 | 12 |
| 160664-22471 | 9 | 12 -1 |
| 160664-22480 | 9 | 18 |
| 160664-22481 | 9 | 18 -1 |
| 160664-23201 | 9 | 11 |
| 160664-45010 | 10 | 1 |
| 160664-45200 | 10 | 3 |
| 160664-56150 | 3 | 16 |

| Parts No. | Fig. No. | Ref. No. |
|--------------|----------|----------|
| 160664-56150 | 12 | 16 |
| 160664-56160 | 12 | 17 |
| 160664-61310 | 14 | 3 |
| 160664-61600 | 14 | 4 |
| 160664-66050 | 15 | 2 |
| 160664-66060 | 15 | 3 |
| 160664-66100 | 15 | 6 |
| 160664-66110 | 15 | 7 |
| 160664-66150 | 15 | 10 |
| 160664-66160 | 15 | 11 |
| 160664-66170 | 3 | 17 |
| | 15 | 12 |
| 160664-66180 | 15 | 13 |
| 160664-66200 | 15 | 14 |
| 160664-66211 | 15 | 15 |
| 160664-66220 | 15 | 20 |
| 160664-76050 | 16 | 1 |
| 160664-76260 | 16 | 2 |
| 160664-76510 | 16 | 3 |
| 160664-76520 | 16 | 4 |
| 160664-76530 | 16 | 5 |
| 160664-76580 | 16 | 7 |
| 160664-76590 | 16 | 14 |
| 160664-76610 | 16 | 11 |
| 160664-76620 | 16 | 12 |
| 160664-76630 | 16 | 13 |
| 160667-76540 | 16 | 6 |
| 160667-76550 | 16 | 10 |
| 160667-76560 | 16 | 8 |
| 160667-76570 | 16 | 9 |
| 160692-55421 | 11 | 9 |
| 160700-78050 | 17 | 3 |
| 160700-78720 | 17 | 7 |
| 160710-55301 | 11 | 1 |
| 160710-55360 | 11 | 3 |
| 160710-55370 | 11 | 4 |
| 160710-55380 | 11 | 5 |
| 160710-55381 | 11 | 5 -1 |
| 160710-55390 | 11 | 6 |
| 160710-56710 | 12 | 2 |
| 160810-59350 | 13 | 3 |
| 160820-03190 | 2 | 5 |
| 160820-59390 | 13 | 4 |
| 160910-56550 | 12 | 14 |
| 160910-56660 | 12 | 15 |
| 181130-56640 | 12 | 10 |
| 181230-56380 | 12 | 5 |
| 1A1104-28230 | 27 | 3 |
| 1A1107-88070 | 41 | 10 |
| 1A1107-88820 | 41 | 18 |

| Parts No. | Fig. No. | Ref. No. |
|--------------|----------|----------|
| 1A1107-88830 | 41 | 19 |
| 1A1107-88840 | 41 | 21 |
| 1A1400-16000 | 21 | 4 |
| 1A1402-82030 | 41 | 15 |
| 1A1470-20090 | 22 | 3 |
| 1A1470-40900 | 40 | 2 |
| 1A1540-43310 | 28 | 5 |
| | | 14 |
| 1A1540-46010 | 28 | 6 |
| | | 15 |
| | 39 | 1 |
| 1A1540-46020 | 28 | 7 |
| | | 16 |
| 1A1540-62110 | 37 | 5 |
| 1A1540-62140 | 37 | 6 |
| 1A1540-62170 | 37 | 7 |
| 1A1540-87050 | 42 | 2 |
| 1A1540-88830 | 41 | 20 |
| 1A1540-88880 | 41 | 11 |
| 1A1602-86400 | 41 | 23 |
| 1A1750-10000 | 20 | 1 |
| 1A1750-10030 | 19 | 1 |
| 1A1750-10040 | 20 | 2 |
| 1A1750-10100 | 21 | 1 |
| 1A1750-10160 | 21 | 2 |
| 1A1750-10180 | 21 | 3 |
| 1A1750-10280 | 36 | 1 |
| 1A1750-10350 | 36 | 2 |
| 1A1750-10510 | 19 | 2 |
| 1A1750-10520 | 19 | 2 -1 |
| 1A1750-10700 | 20 | 3 |
| 1A1750-10750 | 36 | 3 |
| 1A1750-20010 | 22 | 1 |
| 1A1750-20030 | 22 | 2 |
| 1A1750-20051 | 23 | 1 |
| 1A1750-20100 | 24 | 1 |
| 1A1750-20150 | 25 | 1 |
| 1A1750-20180 | 26 | 1 |
| 1A1750-20201 | 26 | 2 |
| 1A1750-20410 | 22 | 4 |
| 1A1750-20421 | 22 | 5 |
| 1A1750-20431 | 22 | 6 |
| 1A1750-20440 | 26 | 3 |
| 1A1750-20491 | 26 | 4 |
| 1A1750-21051 | 23 | 3 |
| 1A1750-21300 | 27 | 1 |
| 1A1750-21330 | 27 | 7 |
| 1A1750-21350 | 27 | 2 |
| 1A1750-30000 | 28 | 1 |
| 1A1750-30050 | 28 | 10 |

Parts No. Index

| Parts No. | Fig. No. | Ref. No. |
|--------------|----------|----------|
| 1A1750-30100 | 28 | 2 11 |
| 1A1750-40000 | 29 | 1 |
| 1A1750-40200 | 31 | 1 |
| 1A1750-40210 | 30 | 1 |
| 1A1750-40400 | 30 | 2 |
| 1A1750-40490 | 32 | 1 |
| 1A1750-40500 | 32 | 2 |
| 1A1750-40510 | 32 | 3 |
| 1A1750-40850 | 40 | 1 |
| 1A1750-40900 | 32 | 4 |
| 1A1750-40910 | 32 | 5 |
| 1A1750-43550 | 32 | 6 |
| 1A1750-51100 | 32 | 7 |
| 1A1750-51150 | 32 | 8 |
| 1A1750-60140 | 38 | 2 |
| 1A1750-60291 | 37 | 3 |
| 1A1750-60500 | 35 | 1 |
| 1A1750-60800 | 34 | 1 |
| 1A1750-60850 | 37 | 4 |
| 1A1750-60880 | 38 | 3 |
| 1A1750-63100 | 38 | 4 |
| 1A1750-63500 | 33 | 1 |
| 1A1750-63960 | 18 | 2 |
| 1A1750-70000 | 39 | 3 |
| 1A1750-80000 | 41 | 1 |
| 1A1750-83230 | 41 | 4 |
| 1A1750-83240 | 41 | 16 |
| 1A1750-83320 | 41 | 17 |
| 1A1750-83350 | 41 | 2 |
| 1A1750-83360 | 41 | 3 |
| 1A1750-83370 | 41 | 5 |
| 1A1750-83500 | 41 | 6 |
| 1A1750-83510 | 41 | 7 |
| 1A1750-83520 | 41 | 8 |
| 1A1750-83530 | 41 | 13 |
| 1A1750-83540 | 41 | 14 |
| 1A1750-83550 | 41 | 9 |
| 1A1750-83570 | 41 | 22 |
| 1A1750-83900 | 42 | 1 |
| 1A1750-90010 | 18 | 3 |
| 1A1750-90050 | 37 | 8 |
| 1A1750-90060 | 31 | 2 |
| 1A1750-90110 | 18 | 4 |
| 1A1750-90150 | 31 | 3 |
| | 37 | 9 |
| 1A1750-90200 | 38 | 6 |
| 1A1760-10400 | 18 | 1 |
| 1A1760-30200 | 28 | 3 |
| | | 12 |

| Parts No. | Fig. No. | Ref. No. |
|--------------|----------|-------------------|
| 1A1760-30300 | 28 | 4 13 |
| 1A1860-20060 | 23 | 2 |
| 1A1860-20101 | 24 | 2 |
| 1A1860-20151 | 25 | 2 |
| 1A1860-20250 | 25 | 3 |
| 1A1860-20251 | 25 | 3 -1 |
| 1A1860-20280 | 25 | 4 |
| 1A2190-12110 | 19 | 1 -1 9 |
| | | 1 -1 |
| 1A2190-13300 | 20 | 1 -1 |
| 1A2190-23300 | 25 | 1 -1 |
| 1C6020-41060 | 19 | 3 -2 |
| 1C6020-73090 | 20 | 4 |
| 1C6080-51310 | 30 | 3 |
| 1C6141-47970 | 39 | 2 |
| 1D2040-48010 | 37 | 2 |
| 1D2040-87060 | 42 | 3 |
| 1D2042-41200 | 37 | 1 |
| 1D2050-65010 | 38 | 5 |
| 1D3030-22060 | 37 | 10 -1 |
| 1E6102-84970 | 32 | 9 |
| 1E6150-56040 | 27 | 4 |
| 1E6250-51790 | 21 | 5 |
| 1H6020-60170 | 36 | 4 |
| 22137-060000 | 14 | 9 32 10 |
| | | 21 6 |
| 22137-080000 | 21 | 6 |
| 22137-100000 | 30 | 4 |
| 22137-140000 | 19 | 8 |
| 22157-060000 | 19 | 3 -1 20 4 -1 |
| | | 19 4 |
| 22217-060000 | 19 | 4 |
| | | 20 5 |
| 22242-000120 | 21 | 7 |
| 22242-000150 | 21 | 8 |
| 22252-000110 | 9 | 8 |
| 22312-060160 | 1 | 13 |
| 22360-060000 | 14 | 10 |
| 22417-200120 | 32 | 11 |
| 22487-060260 | 32 | 12 |
| 22550-040300 | 19 | 7 |
| 24101-060024 | 23 | 4 |
| 24101-062014 | 23 | 5 24 3 25 5 |
| | | 26 5 |
| 24101-062044 | 26 | 5 |
| 24190-100001 | 27 | 5 |
| 24311-000150 | 1 | 8 3 11 |

| Parts No. | Fig. No. | Ref. No. |
|--------------|----------|----------|
| 24421-152507 | 23 | 6 |
| 25122-002900 | 19 | 5 |
| 26022-050102 | 5 | 5 |
| 26106-060082 | 16 | 15 |
| 26106-060122 | 5 | 17 |
| | 11 | 8 |
| 26106-060252 | 5 | 15 |
| 26107-060122 | 36 | 5 |
| | 37 | 10 |
| 26107-080122 | 20 | 6 |
| | 36 | 6 |
| 26107-080162 | 34 | 2 |
| 26107-080202 | 28 | 8 |
| | | 17 |
| 26107-080252 | 22 | 7 |
| 26107-080302 | 18 | 7 |
| 26107-080352 | 18 | 5 |
| | | 5 -1 |
| 26107-080452 | 22 | 8 |
| 26107-080502 | 33 | 2 |
| 26107-080602 | 29 | 2 |
| 26107-080702 | 21 | 9 |
| | 35 | 2 |
| 26116-040088 | 15 | 21 |
| 26117-040207 | 15 | 5 |
| 26117-040257 | 15 | 9 |
| 26117-060162 | 19 | 6 |
| | 20 | 7 |
| 26157-101002 | 30 | 5 |
| 26347-060002 | 15 | 16 |
| 26366-060002 | 5 | 12 |
| | 6 | 3 |
| | 10 | 8 |
| | 15 | 17 |
| 26367-060002 | 36 | 7 |
| | 38 | 7 |
| 26367-080002 | 18 | 6 |
| | 21 | 10 |
| | 22 | 9 |
| | 28 | 9 |
| | | 18 |
| | 29 | 3 |
| | 33 | 3 |
| | 34 | 3 |
| | 35 | 3 |
| 26376-100002 | 8 | 7 |
| 26476-060122 | 15 | 18 -1 |
| 26476-060142 | 2 | 6 |
| | 10 | 5 |
| | 15 | 18 |

| Parts No. | Fig. No. | Ref. No. |
|--------------|----------|----------|
| 26476-060142 | 27 | 6 |
| | 36 | 8 |
| 26476-060252 | 1 | 14 |
| | 10 | 6 |
| | 17 | 8 |
| 26476-060302 | 10 | 7 |
| 26757-080002 | 40 | 3 |
| 28227-191400 | 42 | 4 |
| 760662-92600 | 3 | 8 |
| 760664-21710 | 8 | 1 |
| 760664-22500 | 9 | 3 |
| 760664-22501 | 9 | 3 -1 |
| 760664-22540 | 9 | 14 |
| 760664-22541 | 9 | 14 -1 |
| 760664-22550 | 9 | 20 |
| 760664-22551 | 9 | 20 -1 |
| 760664-23710 | 9 | 9 |